

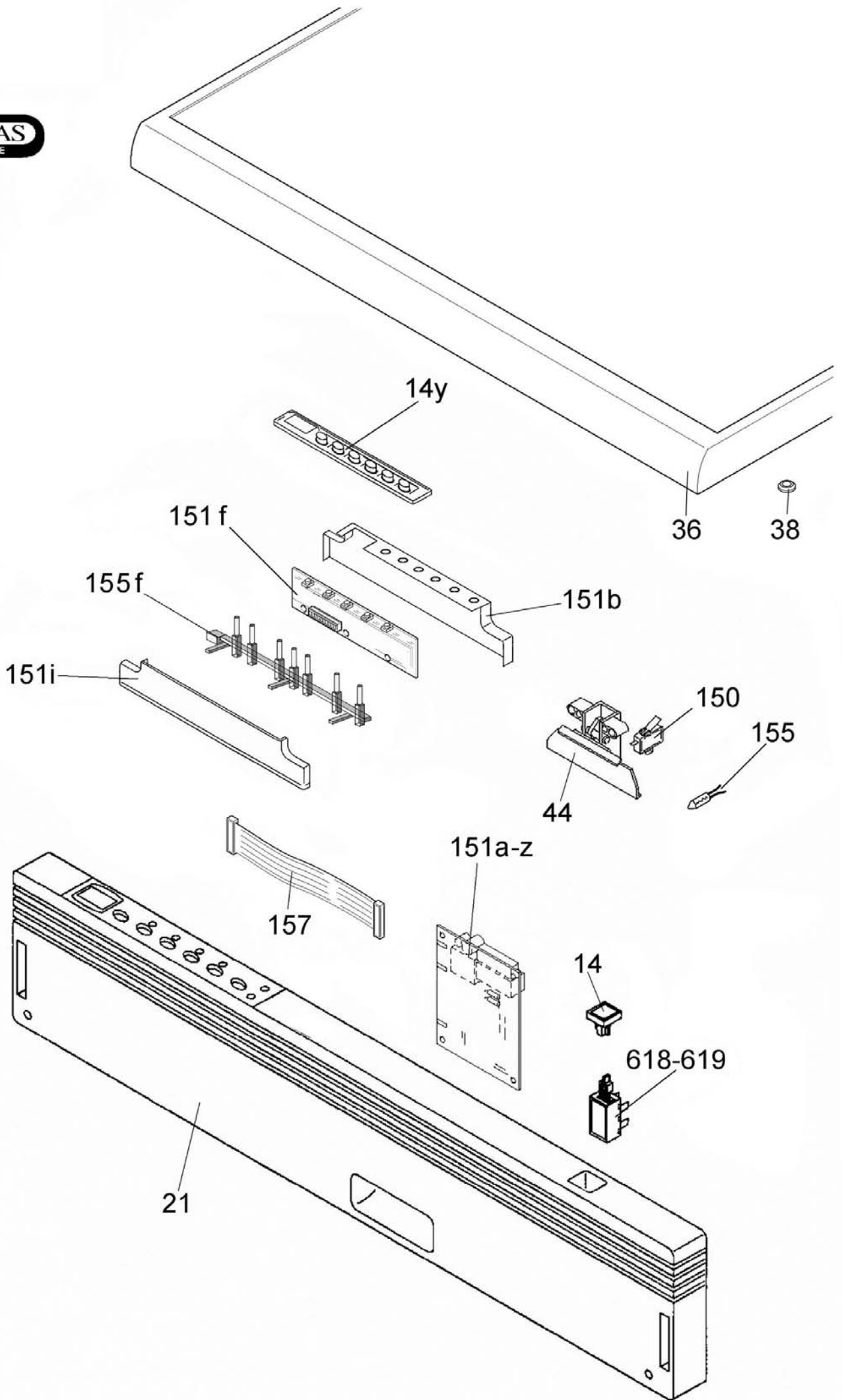


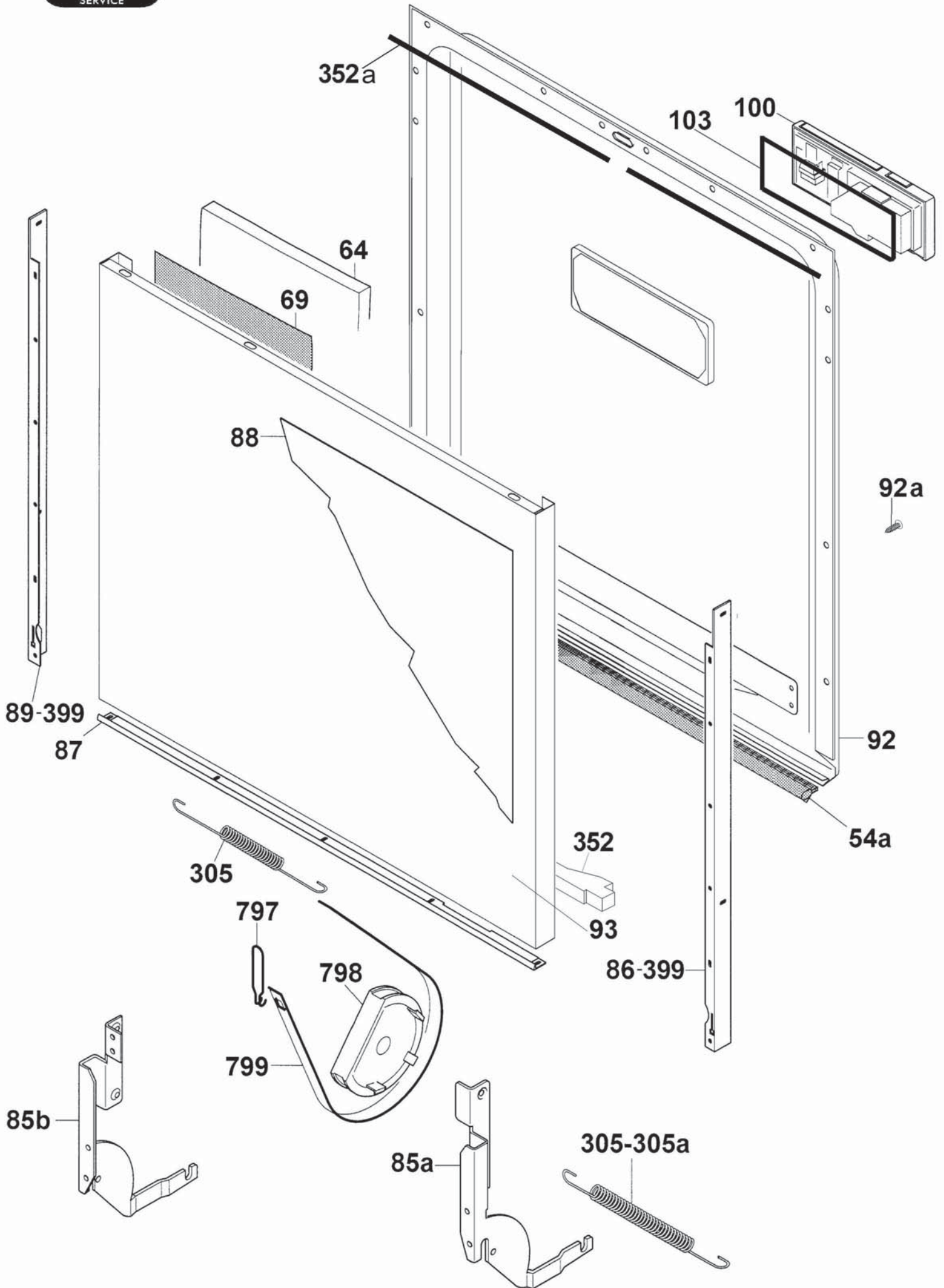
**CANDY**

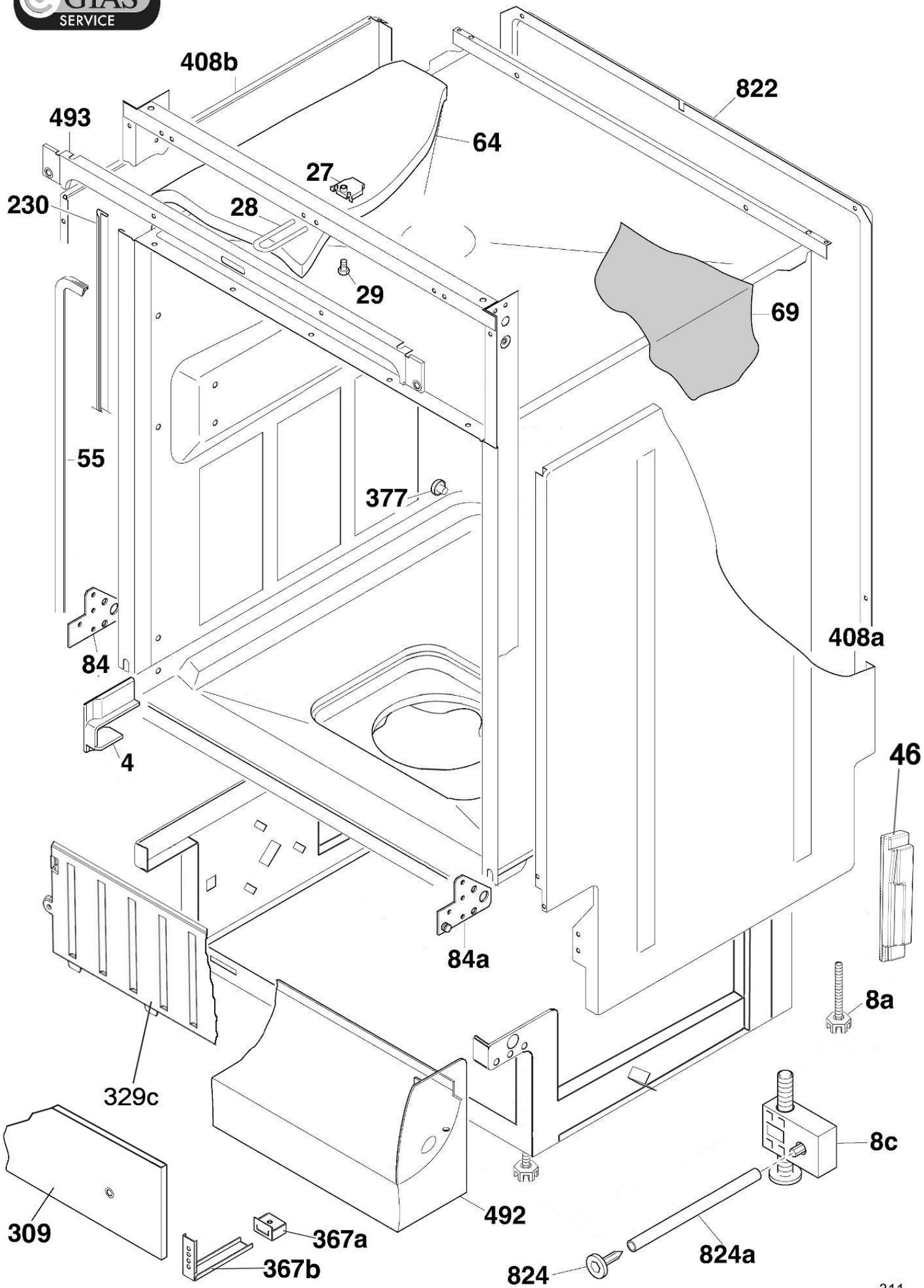
BUILT-IN DISHWASHER

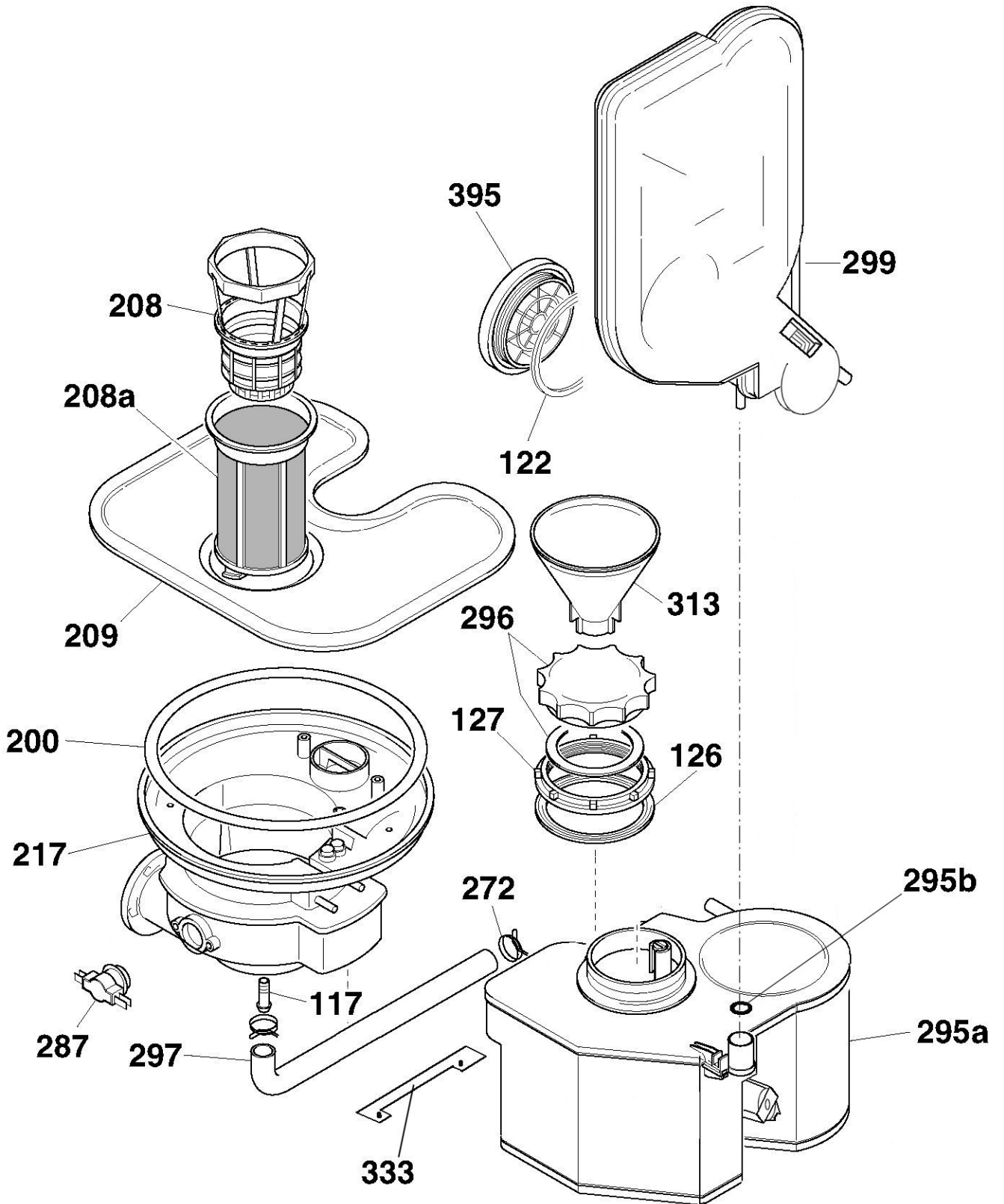
32900335 CDI3013 47

Service Manual



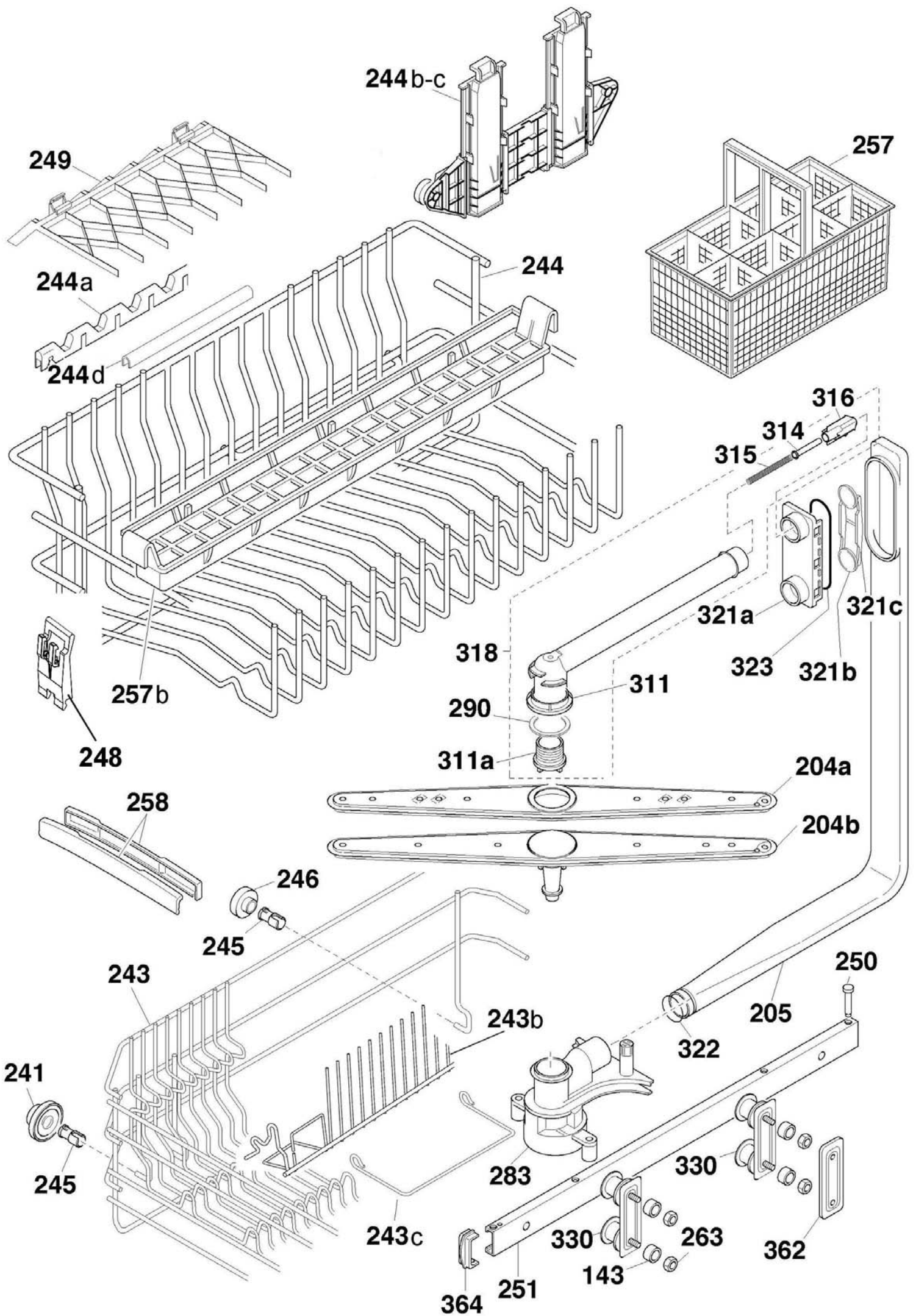














32900335 CDI3013 47 1125 (16/06/2011)

Ref.	Descrizione - Description - Beschreibung - Descripción	Ricambio Part No. Piece E-Teil Pieza	Inizio Beginning Debut Begin Inicio	Fine Ending Fin End Fin
4a	Right basket guide	41017657		
4b	Left basket guide	41017656		
8a	Foot	41026789		
14g	ON-OFF push button	41012556		
14y	Keyboard for Module	41012426		
21a	Control panel	41900347		
27	Closure regulator	91800770		
28	Catch	41014449		
29	Screw	41013184		
44	Door lock	41013195		
54a	Innerdoor lower gasket	91620003		
55	Front gasket	41019164		
64a	Felt	41028929		
69	Insulating panel	41017649		
84	L/H hinge holder	41026794		
84a	R/H hinge holder	41026793		
85a	R/H hinge	41007189		
85b	L/H hinge	41007190		
92	Innerdoor	41010279		
92a	Innerdoor screw	91401201		
93	Door	41900042		
100	Electrodistributor	41010202		
103	Gasket	49004681		
117	Nozzle	92694801		
122	Gasket	41029495		
126	Seal gasket	41029550		
127	Metal ring	41029551		
133	Clip	92470012		
134	Electrovalve	41033495		
135a	Hose	41015227		
138	Drain hose	91670102		





32900335 CDI3013 47 1125 (16/06/2011)

Ref.	Descrizione - Description - Beschreibung - Descripcion	Ricambio Part No. Piece E-Teil Pieza	Inizio Beginning Debut Begin Inicio	Fine Ending Fin End Fin
138a	Drain house elbow	92689587		
138b	Hoseb clamp	91600328		
141	Seal gasket	92485226		
142a	Fill hose red	41034875		
148a	Outer heater assy	41006831		
150	Door micro switch	41009693		
151a	Electronic module	41029102		
151b	Electr.plate box	41012374		
151f	Programs electronic module	41012533		
151i	Electronic plate cover	41012373		
151z	Not programmed Electronic module	41027100		
153	Level switch	41030820		
155f	Light guide	41012428		
157	Wiring harness	41029192		
157k	8 Way connecton	41012762		
161	Drain pump	91200173		
161a	Drain pump scroll	91600290		
171	Motor pump	41014580		
172	Clip	91408000		
173	Hose	41015226		
177	Motor Schoch absorber	92131762		
200	Drawer grasket	91406300		
204a	Upper spray arm	41009782		
204b	Lower spray arm	41009781		
205	Spray arms tube	41006828		
208	Filter	41005927		
208a	Microfilter	41014367		
209	Filter plate	91800738		
217	Filter bacin.	41026774		
218	OR seal gasket	91406302		
225a	Thermostat Gasket	92445626		



32900335 CDI3013 47 1125 (16/06/2011)

Ref.	Descrizione - Description - Beschreibung - Descripcion	Ricambio Part No. Piec E-Teil Pieza	Inizio Beginning Debut Begin Inicio	Fine Ending Fin End Fin
241	Lower basket wheel	91601253		
243	Lower basket	41030312		
244	Upper basket	41030308		
244a	Plates holder	41011632		
245	Basket wheel pin	91601247		
246	Basket wheel upper.	91601248		
249a	R/H front-L/H rear cups basket	41000751		
249b	L/H front-R/H rear cups basket	41000752		
250	Wheel stopper	91619627		
251	Runner	91800137		
257	Cutlery basket	41030341		
272	Clip	92470244		
275	Level hose	41026801		
283a	Hub	41009859		
287m	NTC probe	41022107		
290	Bearing for spray arm	91405300		
295a	Water softener	41026897		
295b	Water softener OR seal gasket	91941698		
296	Water softener stopper	41029552		
297	Hose	91620010		
299	Water softener capacitor	41026799		
305	Spring	92483809		
305a	Long spring	92484435		
311	Sleeve	91602981		
311a	Sleeve	41010216		
314	Slider	91600272		
315	Spring	92484021		
316	Center square	91600271		
318	Upper ramp tube	41009353		
321a	Deviator	41009202		
321b	Deviator valve	91600267		



32900335 CDI3013 47 1125 (16/06/2011)


		Ricambio Part No. Piece E-Teil Pieza	Inizio Beginning Debut Begin Inicio	Fine Ending Fin End Fin
Ref.	Descrizione - Description - Beschreibung - Descripcion			
321c	Deviator valve holder	41009257		
321d	Non return valve	91941700		
322	Seal	91406301		
323	Seal	41009258		
329c	Cover	41027071		
330	Subseq.runner ass.support	91670988		
332	Botton cover	41030370		
333	Water softener reed	49016819		
352	Condensation protection	41035671	1127 (01/07/2011)	
352a	Upper condensation protection	41035692	1127 (01/07/2011)	
362	Wheel support reinforc.	91602344		
364	Upper basket stopper	91601047		
377	Center square	91621961		
377a	Upper center square	41024985		
395	Air break ring nut	41029447		
399	Built-in envelope assy	41030153		
402	Harness protection	41033546		
408a	R/H later.panel	41900043		
408b	L/H later.panel	41900044		
474	Safety switch	41020658		
474a	Gasket safety switch	41009096		
491	Main cable	41034787		
493	Upper cover	41017653		
498	Hose	41027168		
618c	Unipolar NA+P.A. switch	90489683		
797	Hook	92734912		
798	Clutch body	41026792		
799	Clutching band	92895838		
839	Clip	92470277		
999	Wiring diagram	41029152		



### 32900335 CDI3013 47 1125 (16/06/2011) - Modifications History -

Ref.	Descrizione - Description - Beschreibung - Description	Ricambio Part No. Piece E-Teil Pieza	Inizio Beginning Debut Begin Inicio	Fine Ending Fin End Fin
352a 352	Condensation protection Upper condensation protection Condensation protection	41035692 41035671	1127 (01/07/2011) 1127 (01/07/2011)	

CODICE CODE CODE CODIGO	DENOMINAZIONE DESCRIPTION BESCHREIBUNG DENOMINACION	STOCK STOCK STOCK STOCK	COMPOSIZIONE COMPOSITION KOMPOSITION COMPOSICION	SCHEDA SCHEDA SCHEDA SCHEDA
32000425	CD 455/2-47	47	V1-PD	41029101
32000423	CDF8 615/1-01	01	RA	41029106
32000424	CDF8 315/1-01	01	RA	41029105
32900168	CDI 1010/2-S	01	-	41029103
32900170	CDI 3515/1-02	01	LDA	41029102
32000431	CDF8 648X/1-47	47	RA	41029106
32000432	CDF8 648/1-47	47	RA	41029106
32000433	CDF8 349/1-47	47	RA	41029105
32000435	CDF8 348/1-47	47	RA	41029105
32000436	CDF8 615X/1-47	47	RA	41029106
32000437	CD 222A/1-S	41	V1-PD	41029101
32000438	CD 132/1-S	41	V1-PD	41029101
32000434	CDF8 348X/1-47	47	RA	41029105
32000442	CDF8 315/1-S	01	RA	41029105
32000439	CDF8 312X/1-S	01	RA	41029105
32000441	CDF8 312/1-S	01	RA	41029105
32000440	CDF8 322/1-S	01	RA	41029105
32000480	CDF8 647X-47	47	RA-MB	41027100
32000479	CDF8 647-47	47	RA-MB	41027100
32000472	CDF8 60E10-S	36	RA-MB	41027100
32000473	CDF8 60E10X-S	36	RA-MB	41027100
32000474	CDF8 65E10-S	36	RA-MB-AS	41027100
32000475	CDF8 65E10-01	01	RA-MB	41027100
32000476	CDF8 65E10X-01	01	RA-MB	41027100
32000447	HDD 646 BL/1-47	47	RA	41027100
32000455	HND 645/1-86	86	RA	41029104
32000456	HND 547/1-86	86	RA	41029104
32000457	HDD 6 BL/1-86	86	RA	41027100
32000461	HDD 6/1-S	01	RA	41027100
32000462	HDD 6 BL/1-S	01	RA	41027100
32000463	HDD 6615BL/1-80	80	RA	41027100
32000464	HDD 6615/1-80	80	RA	41027100
32000482	CDF8 382-37	37	-	41029105
32000483	CDF8 382X-37	37	-	41029105
32900182	CDI 1012/A-80	80	-	41029103
32900183	CDI 2012E10-02	02	WM-TA-LDA	41030216
32900189	CDI 2012/1-02	02	LDA	41029102
32900188	CDS 155X/1-S	02	SD-LDA-V1-PD	41029100
32900185	CDS 220W/1-S	02	LDA-V1-PD	41029100
32900187	CDS 220X/1-S	02	LDA-V1-PD	41029100
32900186	CDS 220N/1-S	02	LDA-V1-PD	41029100
32900190	CDI 2012E10-S	02	WM-TA-LDA	41030216
32900184	CDI 2012/1-S	36	LDA	41029102
32900206	CDI 2612-47	47	LDA	41029102
32900203	CDS 330W-47	47	SD-LDA-V1-PD	41029100
32900202	CDS 330N-47	47	SD-LDA-V1-PD	41029100
32900204	CDS 330X-47	47	SD-LDA-V1-PD	41029100
32900191	CDI 3515/1-S	01	LDA-AS	41029102
32900200	CDI 20E10-80	80	WM-TA-LDA	41030216
32900221	CDS 530W-47	47	SD-LDA-V1-PD-WM-TA	41030216
32900205	CDS 530N-47	47	SD-LDA-V1-PD-WM-TA	41030216
32900220	CDS 530X-47	47	SD-LDA-V1-PD-WM-TA	41030216
32900216	RLI 61 RB-47	47	SD-LDA-V1-PD-LB	41029100
32900210	RLF 101-47	47	LDA	41029102
32900209	RLF 58/1-47	47	LDA	41029102
32900214	RLI 61 PN-47	47	SD-LDA-V1-PD-LB	41029100
32900215	RLI 61 IN-47	47	SD-LDA-V1-PD-LB	41029100
32900211	RLI 71 VV-47	47	SD-LDA-V1-PD-LB	41029100
32900212	RLI 71 AV-47	47	SD-LDA-V1-PD-LB	41029100
32900213	RLI 71 BA V-47	47	SD-LDA-V1-PD-LB	41029100
32900196	HLSI 2000/1-30	30	LDA	41029102
32900199	HFI 3015/1-80	80	LDA	41029102
32900198	HFI 3G10-80	80	LDA-MB	41027100
32900197	HLSI 300G-S	36	LDA-MB	41027100
32900207	HGOI 300G-86	86	LDA-MB	41027100

	VARIANTI SIGNIFICATIVE SIGNIFICANT VARIATIONS VARIATIONS SIGNIFICATIVES BEZEICHNENDE VARIANTEN VARIANTES SIGNIFICATIVAS	
	DATA-DATE-DATE DATUM - FECHA	INDICE-INDEX-INDEX ANZEIGER-INDICE
LAVASTOVIGLIE -DISHWASHER-LAVE VAISSELLE GESCHIRRSPUELAUTOMAT-LAVAVAJILLAS	30.05.08	A00
	15.01.09	A07
<b>SCHEMA ELETTRICO</b> ELECTRICAL DIAGRAMS - SCHEMAS ELETRIQUE ELEKTRISCHE SCHALTPLASE - ESQUEMA ELECTRICO		
CODICE DISEGNO - DRAWING CODE - CODE SCHEMA ELECTRIQUE - ELEKTRISCHE SCHEMA CODE - CODIGO DISENO		
41029152		

RIPRODUZIONE VIETATA - FORBIDDEN REPRODUCTION - REPRODUCTION INTERDITE - NACHDRUCK VERBOTEN - REPRODUCCION PROHIBIDA



# LAVASTOVIGLIE - DISHWASHER - LA VEVAISSELLE - GHESCHIRSPUELER - LAVAVAJILLAS

## LEGENDA COMPONENTI LAVAGGIO - WASHING COMPONENTS LIST - LISTE COMPOSANTES LAVAGE - WASCHUNG KOMPONENTEN LISTE - LEYENDA COMPONENTES LAVADO

40	-	SENSORE - SENSOR - SENSOR
41	-	SCHEDA TERMOSTATO - ELECTRONIC MODULE - MODULE ELECTRONIQUE - ELEKTRONISCHER MODUL - MODULO ELECTRONICO
AS	-	SISTEMA ACQUA STOP - WATER STOP SYSTEM - SYSTEM EAU STOP - STOP WASSER SYSTEM - SISTEMA AGUA STOP
BL 1	-	BASSETTA DI LINEA - LINE PLATE - PLAQUETTE DE LIGNE - LINIE SOCKEL - PLACA DE LINEA
CA 28	-	CONDENSATORE - CAPACITOR - CONDENSATEUR - KONDENSATOR - CONDENSADOR
CL	-	CONTALITRI - LITER-COUNTER - COMTE-LITRES - LITER-ZAEHLER - CONTALITROS
EB 53	-	ELETTROVALVOLA BRILLANTANTE - RINSER ELECTRICVALVE - ELECTROVANNE PRODUIT DE RINCAGE - KLARSPUELMITTEL ELEKTROVENTIL - ELECTROVALVULA ABRILLANTADOR
EC	-	ELETTROVALVOLA ACQUA CALDA - WARM WATER ELECTRICVALVE - ELECTROVANNE EAU CHAUDE - WARMWASSER ELEKTROVENTIL - ELECTROVALVULA AGUA CALIENTE
ED 113	-	ELETTROVALVOLA DETERSIVO - DETERGENT ELECTRICVALVE - ELECTROVANNE DETERSIF - SPUELMITTEL ELEKTROVENTIL - ELECTROVALVULA DETERGENTE
EF 23	-	ELETTROVALVOLA ACQUA FREDDA - COLD WATER ELECTRIC VALVE - ELECTROVANNE EAU FROIDE - KALTESWASSER ELEKTROVENTIL - ELECTROVALVULA AGUA FRIA
EI	-	ELETTROVALVOLA INTERCETTATRICE - INTERCEPTING ELECTRICVALVE - ELECTROVANNE IINTERCEPTION - SPERR-ELEKTROVENTILL
ER 38	-	ELETTROVALVOLA RIGENERO - REGENERATION SOLENOID-VALVE - ELECTROVANNE REGENERATION - REGENERLERUNGS-ELEKTROVENTIL - ELECTROVALVULA REGENERACION
ES	-	ELETTROVALVOLA SERBATOIO - TANK ELECTRICVALVE - ELECTROVANNE RESERVOIR - ELECTROVENTILL-BEHAELTER - ELECTROVALVULA CUBETA
FA 152	-	FILTRO AUTOPULENTE - SELF-CLEANING FILTER - FILTRE AUTO-NETTOYANT - SELBSTREINIGENDER FILTER - FILTRO AUTOLIMPIANTE
FB	-	BASSA TEMPERATURA - LOW TEMPERATURE - BASSE TEMPERATURE - NIEDRIGE TEMPERATUR - BAJA TEMPERATURA
FK	-	VARIANTE STOCK UK - STOCK UK VARIATION - VARIATION STOCK UK - ANDERUNG STOCK UK - VARIANTE STOCK UK
FN	-	VARIANTE STOCK NORD - STOCK NORD VARIATION - VARIATION STOCK NORD - ANDERUNG STOCK NORD - VARIANTE STOCK NORDICO
FR	-	TRE RISCIAQUI - THREE RINSES - TROI RINCAGES - DREI SPUELUNGEN - TRES ACLARADOS
FT	-	TERMOFUSIBILE - THERMOFUSE - THERMOFUSIBLE - THERMOSICHERUNG - TERMOFUSIBLE
FV	-	VARIANTE 115V/60Hz - 115V/60Hz VARIATION - VARIATION 115V/60Hz - ANDERUNG 115V/60Hz - VARIANTE 115V/60Hz
GS	-	MORSETTO TERRA SPORTELLO - DOOR GROUND CONNECTION - SERRE CABLE DE SOL PORTILLON - Klappe ERDKLEMME - TOMA TIERRA PUERTA
GT	-	MORSETTO GENERALE DI TERRA - GROUND CONNECTION - SERRE-CABLE DE SOL - ERDKLEMME - TOMA GENERAL TIERRA
LA 97	-	SPIA SALE - SALT LAMP - LAMPE SEL - SALT KONTROLL LAMPE - PILOTO SAL
LB 148	-	SPIA BRILLANTANTE - RINSE AID PILOT LAMPE - LAMPE TEMOIN PROD. RINCAGE - KLARSPUEL KONTROLLAMPE - PILOTO ABRILLANTADOR
LN	-	SPIA ASCIUGATURA NATURALE - NATURAL DRYNG PILOT LAMPE - LAMPE SECHAGE NATUREL - NATURAL TROCKNUNG-KONTROLLAMPE - PILOTO SECADO NATURAL
LR 116	-	SPIA CICLO RAPIDO - FAST PROGRAMME PILOT LAMP - LAMPE TEMOIN PROGRAMME RAPID - SCHNELL PROGRAMM KONTROLLAMPE - PILOTO CICLO RAPIDO
LS 16	-	SPIA GENERALE - PILOT LAMP - LAMPE TEMOIN - KONTROLLAMPE - PILOTO MARCHA
ML 20	-	MOTOPOMPA - MOTOR PUMP - MOTORPOMPE - MOTOPUMPE - MOTOBOMBA
MP 24	-	ELETTROPOMPA - ELECTROPUMP - POMPE DE VIDANGE - ELEKTROPUMPE - ELEKTROBOMBA VACJADO
MR 82	-	MOTORE TIMER AUSILIARIO - AUXILARY TIMER MICROMOTOR - MOTEUR TIMER AUXILLAIRE - HILFSLIMER-MOTOR MOTORCITO PROGRAMADOR
MT 10	-	TIMER - TIMER - TIMER - TIMER - PROGRAMADOR
MV	-	VENTOLA DI ASCIUGATURA - DRYING FAN - HELICE ESSORAGE - TROCKEN UNGSFLUEGEL - VENTILADOR DE SECADO
PN 18	-	PRESSOSTATO - LEVEL SWITCH - NIVEAUREGLER - PRESSOSTAT - PRESOSTATO
PS 117	-	PRESSOSTATO DI SICUREZZA - SAFETY PRESSOSTAT - PRESSOSTAT SURETE - SICHERHEIT PRESSOSTAT - PRESOSTATO SEGURIDAD
RA	-	RESISTENZA ASCIUGATURA - DRYING HEATER - RESISTANCE SECHAGE - TROCKNUNG HEIZWIDERSTAND - RESISTENCIA SECADO
RL 21	-	RESISTENZA LAVAGGIO - TUMBLE HEATER - RESISTANCE LAVAGE - WASCHUNG HEIZWIDERSTAND - RESISTENCIA LAVADO
SA 156	-	SUONERIA - RINGER - SONNERIE - LAUTWERK - ALARMA
SC	-	SCHEDA ELETTRONICA - ELECTRONIC MODULE - MODULE ELECTRONIQUE - ELEKTRONISCHER MODUL - MODULO ELECTRONICO
SD 76	-	RITARDATORE DI PARTENZA - START DELAY - RETARDATEUR DE DEPART - START-VERSPAETER - RETARDADOR DE MARCHA
TB	-	TERMOSTATO BASSA TEMPERATURA - LOW TEMPERATURE THERMOSTAT - THERMOSTAT BASSE TEMPERATURE - NIEDRIGE TEMPERATUR THERMOSTAT - TERMOSTATO BAJA TEMPERATURA



# LAVASTOVIGLIE - DISHWASHER - LA VEVAISSELLE - GHESCHIRSPUELER - LAVAVAJILLAS

TC 19	-	TERMOSTATO DI CONSENSO 55°C - TIMER FED VIA THERMOSTAT NA.55°C - ALIMENTATION TIMER VIA THERMOSTAT NA 55°C - TIMER SPEISUNG VIA THERMOSTAT NA 55°C - TERMOSTATO DE PASO PROGRAMADOR 55°C
TK	-	TERMOSTATO DI CONSENSO 65°C - TIMER FED VIA THERMOSTAT NA 65°C - ALIMENTATION TIMER VIA THERMOSTAT NA 65°C -TIMER SPEISUNG VIA THERMOSTAT NA 65°C - TERMOSTATO DE PASO PROGRAMADOR 65°C -
TM 54	-	TERMOSTATO DI MASSIMA - SECURITY THERMOSTAT - THERMOSTAT DE SICURITE - SICHERHELTS-THERMOSTAT - TERMOSTATO MAXIMA
TN	-	TERMOSTATO 30°/90° - 30°/90° THERMOSTAT - THERMOSTAT 30°/90° - 30°/90° THERMOSTAT - TERMOSTATO 30°/90°
TR	-	TERMOSTATO REGOLABILE - ADJUSTABLE THERMOSTAT - THERMOSTAT REGABLE - EINSTELLBAR THERMOSTAT - TERMOSTATO REGULABLE
VA 92	-	TASTO RICERCA PROGRAMMI - PROGRAMME SELECTION BUTTON - TOUCHE RECHARGE PROGRAMMES - PROGRAMM-WAHLTASTE . TECLA SELECCION PROGRAMAS
VB	-	TASTO BASSA TEMPERATURA - LOW TEMPERATURE BUTTON - TOUCHE BASSE TEMPERATURE - NIEDRIGE TEMPERATUR TASTE - TECLA BAJA TEMPERATURA
VC 118-	-	TASTO CICLO RAPIDO- FAST PROGRAMME BUTTON - TOUCHE PROGRAMME RAPID - SCHNELLPROGRAMM-TASTE - TECLA CICLO RAPIDO
VD	-	TASTO RITARDATORE DI PARTENZA - START DELAY - START DELAY - START DELAY - RETARDO MARCHA
VE 34	-	TASTO ECONOMICO - SAVE KNOB - TOUCHE ECONOMIQUE - SPAR-TASTO - TECLA ECONOMICO
VF 155-	-	TASTO PRELAVAGGIO FREDDO - COLD PRE-WASHING KNOB - TOUCHE PRE-LAVAGE FROID - KALT PRE-AUSWASCHUNG TASTE - TECLA PRELAVADO FRIO
VG	-	TASTO ALTA TEMPERATURA - HIGH TEMPERATURE BUTTON - TOUCHE HAUTE TEMPERATURE - HOHE TEMPERATUR-TASTE - TECLA TEMPERATURA ALTA
VH	-	TASTO ASCIUGATURA FORZATA - FORCED DRYING BUTTON - TOUCHE SECHAGE FORCE - ERZWUNGENETROCKNUNG TASTE - TECLA SECADO FORZADO
VI	-	TASTO INTENSIVO - INTENSIVE BUTTON - TOUCHE INTENSIF - TIEFE TASTE - TECLA ENERGICO
VL	-	TASTO PLUS - PLUS KEY - TOUCHE PLUS - PLUS TASTE - TECLA PLUS
VM 52	-	MICROINTERRUPTORE DI PORTA - DOOR MICROSWITCH - MICROINTERRUPTEUR PORTE - TUER MIKROSCHALTER - MICRO PUERTA
VN	-	TASTO ASCIUGATURA NATURALE - NATURAL DRYNG BUTTON - TOUCHE SECHAGE NATURAL - NATURALTROCKNUNG-TASTE - TECLA SECADO NATURAL
VO	-	TASTO MEZZO CARICO - HALF LOAD BUTTON - TOUCHE DEMI CHARGE - HALB LADUNG-TASTE - TECLA ½ CARGA
VP 17	-	TASTO MARCIA/ARRESTO - STOP/START KEY - MARCHE/ARRET TOUCHE - EIN/AUS SCHALTER - TECLA MARCHA PARADA
VR	-	TASTO INSERIMENTO DECALCIFICATORE - WATER SOFTNER FUNCTIONING BUTTON - TOUCHE FONCTIONNEMENT ADOUCISSEUR D'EAU - ENTHAERTUNGSANLAGE FUNKTIONIERUNG TASTE - TECLA FUNCIONAMIENTO DESCALCIFICADOR
VS 93	-	TASTO CICLO FORTE - INTENSIVE PROGRAMME BUTTON - TOUCHE PROGRAMME INTENSIF - INTENSIVE PROGRAMM-TASTE - TECLA CICLO ENERGICO
VT	-	TASTO 2 O 3 RISCIAQUI - 2 OR 3 RINSE PUSH BUTTON - TOUCHE 2 O 3 RINCAGE - 2 ODER 3 SPUELUNG TASTE - TECLA 2 O 3 ACLARADOS
VU 94	-	TASTO PROGRAMMA UNIVERSALE - UNIVERSAL PROGRAMME BUTTON - TOUCHE PROGRAMME UNIVERSAL - UNIVERSALPROGRAMM-TASTE - TECLA PROGRAMA UNIVERSAL
VV 95	-	TASTO PROGRAMMA DELICATO - DELICATE PROGRAMME BUTTON - TOUCHE PROGRAMME DELICAT - FEINPROGRAMM-TASTE - TECLA PROGRAMA DELICADO
VY	-	TASTO ECO-DRY - ECO-DRY BUTTON - TOUCHE ECO-DRY – ECO-DRY TASTE – TECLA ECO-DRY
ZR	-	RELE' - RELAY - RELAIS - RELAIS - RELE
ZT	-	TRASFORMATORE - TRANSFORMER - TRANSFORMATEUR - TRANSFORMATOR - TRANSFORMADOR
ZW 27	-	FILTRO ANTIDISTURBO - ANTIJAMMING FILTER RADIO - ( RADIO ) ELIMINATEUR - ENTSTEERUNGSFILTER - FILTRO ANTIPARASITARIO

FASI DI LAVAGGIO		PROGRAMMI NORMALI															Tempistica step	
		ECO PLUS	ECO 13LT	DELICATO	AUTO UNIVERSALE PLUS	AUTO UNIVERSALE	AUTO GIORNALIERO	UNIVERSALE PLUS	UNIVERSALE	GIORNALIERO	IGIENIZZANTE	INTENSIVO	FORTE VELOCE	CLASSE A 59°	RAPIDO	AMMOLLO		
ALTERATORE		PIU	BASE	MENO	PIU	BASE	MENO	PIU	BASE	MENO	PIU	BASE	MENO	PIU	BASE	MENO		
RISCIACQUO RESINE ***																		
*Carico (C)	Scarico Sc.Resine		0			0			0			0		0	0	0	max1'	
	Scarico		0			0			0			0		0	0	0	max3'	
*Carico (C)	Scarico Sc.Resine		1,0			1,0			1,0			1,0		1,0	2,0	2,0	max1'	
	Scarico		P< +15 "			P< +15 "			P< +15 "			P< +15 "		P< +15 "	P< +15 "	P< +15 "	max3'	
*Carico (C)	Scarico Sc.Resine		1,0			1,0			1,0			1,0		1,0	2,0	2,0	max1'	
PRELAVAGGIO																		
Carico (P)	Scarico		P< +0"			P< +0"			P< +0"			P< +0"		P< +0"	P< +0"	P< +0"	max3'	
Carico (C)			P>			P>			P>			P>		P>	P>	P>		
Carico (C)			3,0			3,0			3,0			3,0		3,0	0	3,0		
Pausa			5"			5"			5"			5"		5"	0	5"		
Carico (C)	Lavaggio		0,6			0,6			0,6			0,6		0,6	0	0,6		
Carico (P)	Lavaggio		P> +1'			P> +1'			P> +1'			P> +1'		P> +1'	0	P> +1'	max4'	
Carico (P)	Lavaggio Resistenza		0		45°C	0		4'	0		4'	0		45°C	35°C	30°C	0	# min 5'-max 40'
Carico (C)	Lavaggio		25'	2'		8'			8'		4'	8'		7'	0	2'		
Carico (C)	Lavaggio Scarico	30'	P<			P<			P<			P<		P<	0	P<	max3'	
Pausa			0			0			0			0		0	0	0		
Carico (T)	Scarico Pulizia filtro		P< +SI			P< +SI			P< +SI			P< +SI		P< +SI	0	P< +SI	max3'	
	Scarico		0,5	0		0			0			0,5		0	0,5	0	max1'	
LAVAGGIO																		
Carico (P)			P>			P>			P>			P>		P>	P>	0		
Carico (C)			2,5			2,5			2,5			2,5		2,5	3,0	0		
Pausa			0			0			0			0		5"	0	0		
Carico (C)	Lavaggio		0,6			0,6			0,6			0,6		0,6	0	0		
Carico (P)	Lavaggio		P> +1'			P> +1'			P> +1'			P> +1'		P> +1'	P> +1'	0	max4'	
Carico (C)	Lavaggio Detersivo		2'			2'			2'			2'		2'	0	0		
Carico (C)	Lavaggio Resistenza		0		48°C	0			0			0		0	0	0		
Carico (C)	Lavaggio	55°C	46°C	48°C	68°a73°C	50°a 57°C	45°a 55°C	70°C	57°C	55°C	18'	73°C	65°C	62°C	10'45"	0	# min 5'-max 65/75°	
Carico (C)	Lavaggio Scarico	40'	30'	8'	10'a15'	17'a22'	10'a15'	15'	22'	15'		8'		6'	15"	0		
Carico (C)	Lavaggio		0	0		0			0			0		0	0	0		
Carico (C)	Lavaggio		0	0		0			0			0		0	0	0		
Carico (C)	Lavaggio		0	0		0			0			0		0	0	0		
Carico (C)	Lavaggio	0	0	0		0			0			0		0	0	0		
Carico (P)	Lavaggio	0	0	0		0			0			0		0	0	0		
Carico (C)	Lavaggio Scarico		P<			P<			P<			P<		P<	0	0	max3'	
Carico (C)	Scarico Pulizia filtro		P< +SI			P< +SI			P< +SI			P< +SI		P< +SI	0	P< +SI	max3'	
Carico (C)	Scarico		0,5			0,4			0,5			0,5		0	0	0	max1'	
Carico (C)	Scarico		10"			0			10"			10"		0	10"	0		
RISCIACQUO FREDDO					X2			X2				X2	X1					
Carico (P)			0	P>		P>			P>			P>		0	0	0		
Carico (C)			0	2,5		2,5			2,5			2,5		0	0	0		
Carico (C)	Lavaggio		0	0,6		0,6			0,6			0,6		0	0	0		
Carico (P)	Lavaggio		0	P> +1'		P> +1'			P> +1'			P> +1'		0	0	0	max4'	
Carico (P)	Lavaggio		0	5'		5'			5'			5'		0	0	0		
Carico (C)	Lavaggio		0	0		0			0			0		0	0	0		
Carico (C)	Lavaggio Scarico		0	P<		P<			P<			P<		0	0	0	max3'	
Pausa			0	3"		3"			0			0		0	0	0		
Carico (C)	Scarico		0	P< +SI		P< +0"			P< +0"			P< +SI		0	0	0	max3'	
RISCIACQUO CALDO																		
Carico (P)			P>			P>			P>			P>		P>	P>	0		
Carico (C)			2,5			2,5			2,5			2,5		2,3	0	0		
Carico (C)	Lavaggio		0,6			0,6			0,6			0,6		0,6	0	0		
Carico (P)	Lavaggio		P> +1'			P> +1'			P> +1'			P> +1'		P> +1'	P> +1'	0	max4'	
Carico (P)	Lavaggio		0	0		0			0			0		0	0	0		
Carico (C)	Lavaggio Rigenero		Fase 1			Fase 1			Fase 1			Fase 1		Fase 1	Fase 1	0		
Carico (C)	Lavaggio Resistenza		48°C			48°C			48°C			48°C		48°C	9'	0	# min 5'-max 40/65°	
Carico (C)	Lavaggio Brillantante		1'			1'			1'			1'		1'	1'	0		
ASCIUGATURA TRADIZIONALE																		
Carico (C)	Lavaggio Resistenza		70°C	66°C-i68°	65°C	73°C	73°C	68°C	73°C	73°C	68°C	73°C	65°C	65°C	2'	0	# min 5'-max 40/75°	
Carico (C)	Lavaggio		15"			15"			15"			15"		15"	15"	0		
Carico (C)	Lavaggio Scarico		P<			P<			P<			P<		P<	0	0	max3'	
Carico (C)	Lavaggio		0			0			0			0		0	0	0		
Carico (C)	Lavaggio Rigenero		Fase 2			Fase 2			Fase 2			Fase 2		Fase 2	Fase 2	0		
Carico (C)	Lavaggio Scarico		P< +1"			P< +SI			P< +SI			P< +SI		P< +SI	P< +SI	0	max3'	
Pausa			60'	30'		27'	10'		30'	10'		30'	10'	6'	0	0		
Pausa			0			0			0			0		3'	0	0		
Carico (C)	Scarico Sc.Resine		1,0			1,0			1,0			1,0		1,0	1,0	0	max1'	
Carico (C)	Scarico		P< +15 "			P< +15 "			P< +15 "			P< +15 "		P< +15 "	P< +15 "	0	max3'	
Carico (C)	Scarico Sc.Resine		1,0			1,0			1,0			1,0		1,0	1,0	0	max1'	
Carico (C)	Scarico		P< +15 "			P< +15 "			P< +15 "			P< +15 "		P< +15 "	P< +15 "	0	max3'	
Carico (C)	Scarico Sc.Resine		0			0			0			0		0	0	0	max1'	
Carico (C)	Scarico		0			0			0			0		0	0	0	max3'	
ASCIUGATURA VENTILATA																		
Carico (C)	Lavaggio Resistenza		68°C	60°C		70°C			70°C			73°C		65°C	2'	0	# min 5' - max 40'	
Carico (C)	Lavaggio		15"			15"			15"			15"		15"	15"	0		
Carico (C)	Lavaggio Scarico		P<			P<			P<			P<		P<	0	0	max3'	
Carico (C)	Lavaggio		0			0			0			0		0	0	0		
Carico (C)	Lavaggio Rigenero		Fase 2			Fase 2			Fase 2			Fase 2		Fase 2	Fase 2	0		
Carico (C)	Lavaggio Scarico		P< +1"			P< +SI			P< +SI			P< +SI		P< +SI	P< +SI	0	max3'	
Pausa			5'			5'			5'			5'		6'	0	0		
Pausa			0			0			0			0		0	3'	0		
Carico (C)	Ventilazione		55'	25'		22'			22'			25'		0	0	0		
Carico (C)	Scarico Sc.Resine		1,0			1,0			1,0			1,0		1,0	1,0	0	max1'	
Carico (C)	Scarico		P< +15 "			P< +15 "			P< +15 "			P< +15 "		P< +15 "	P< +15 "	0	max3'	
Carico (C)	Scarico Sc.Resine		1,0			1,0			1,0			1,0		1,0	1,0	0	max1'	
Carico (C)	Scarico		P< +15 "			P< +15 "			P< +15 "			P< +15 "		P< +15 "	P< +15 "	0	max3'	
Carico (C)	Scarico Sc.Resine		0			0			0			0		0	0	0	max1'	
Carico (C)	Scarico		0			0			0			0		0	0	0	max3'	

Countdown

190 175 85 115/125 100/120 70/80 125 120 80 140 135 85 59 29 5





		OPZIONE EXPRESS																	Tempistica step		
A	B	C	D	E	F	G	H	I	J	K	L	M	N	O	P	Q	R	S		T	U
1	1	<b>FASI DI LAVAGGIO</b>																			
2	2																				
3	3																				
4	4	<b>ALTERATORE</b>																			
5	5	PIU PIU <b>BASE</b> MENO PIU <b>BASE</b> MENO PIU <b>BASE</b> MENO PIU <b>BASE</b> MENO PIU <b>BASE</b> MENO PIU <b>BASE</b> MENO PIU <b>BASE</b> MENO																			
6	6	RISCIACQUO RESINE ***																			
7	7	*Carico (C) Scarico Sc.Resine																			
8	8	*Carico (C) Scarico Sc.Resine																			
9	9	* Scarico Sc.Resine																			
10	10	*Carico (C) Scarico Sc.Resine																			
11	11	<b>PRELAVAGGIO</b>																			
12	12	Scarico																			
13	13	Carico (P)																			
14	14	Carico (C)																			
15	15	Pausa																			
16	16	Carico (C) Lavaggio																			
17	17	Carico (P) Lavaggio																			
18	18	Lavaggio Resistenza																			
19	19	Lavaggio																			
20	20	Lavaggio Scarico																			
21	21	Pausa																			
22	22	Scarico																			
23	23	Carico (T) Scarico Pulizia filtro																			
24	24	<b>LAVAGGIO</b>																			
25	25	Carico (P)																			
26	26	Carico (C)																			
27	27	Pausa																			
28	28	Carico (C) Lavaggio																			
29	29	Carico (P) Lavaggio																			
30	30	Lavaggio Detersivo																			
31	31	Lavaggio Resistenza																			
32	32	Lavaggio																			
33	33	Lavaggio Scarico																			
34	34	Lavaggio																			
35	35	Lavaggio																			
36	36	Lavaggio																			
37	37	Lavaggio																			
38	38	Carico (C) Lavaggio																			
39	39	Carico (P) Lavaggio																			
40	40	Lavaggio																			
41	41	Lavaggio Scarico																			
42	42	Scarico																			
43	43	Carico (C) Scarico Pulizia filtro																			
44	44	Scarico																			
45	45	<b>RISCIACQUO FREDDO</b>																			
46	46	Carico (P)																			
47	47	Carico (C)																			
48	48	Carico (C) Lavaggio																			
49	49	Carico (P) Lavaggio																			
50	50	Lavaggio																			
51	51	Lavaggio Scarico																			
52	52	Lavaggio																			
53	53	Pausa																			
54	54	Scarico																			
55	55	<b>RISCIACQUO CALDO</b>																			
56	56	Carico (P)																			
57	57	Carico (C)																			
58	58	Carico (C) Lavaggio																			
59	59	Carico (P) Lavaggio																			
60	60	Lavaggio																			
61	61	Lavaggio Rigenero																			
62	62	Lavaggio Resistenza																			
63	63	Lavaggio Brillantante																			
64	64	<b>ASCIUGATURA TRADIZIONALE</b>																			
65	65	Lavaggio Resistenza valore Eeprom																			
66	66	Lavaggio																			
67	67	Lavaggio Scarico																			
68	68	Carico (C)																			
69	69	Rigenero																			
70	70	Scarico																			
71	71	Pausa																			
72	72	Pausa																			
73	73	*Carico (C) Scarico Sc.Resine																			
74	74	* Scarico Sc.Resine																			
75	75	*Carico (C) Scarico Sc.Resine																			
76	76	* Scarico Sc.Resine																			
77	77	*Carico (C) Scarico Sc.Resine																			
78	78	* Scarico Sc.Resine																			
79	79	<b>ASCIUGATURA VENTILATA</b>																			
80	80	Lavaggio Resistenza																			
81	81	Lavaggio																			
82	82	Lavaggio Scarico																			
83	83	Carico (C)																			
84	84	Rigenero																			
85	85	Scarico																			
86	86	Pausa																			
87	87	Pausa																			
88	88	Ventilazione																			
89	89	*Carico (C) Scarico Sc.Resine																			
90	90	* Scarico Sc.Resine																			
91	91	*Carico (C) Scarico Sc.Resine																			
92	92	* Scarico Sc.Resine																			
93	93	*Carico (C) Scarico Sc.Resine																			
94	94	* Scarico Sc.Resine																			
95	95	Countdown																			
96	96	P< attesa vuoto pressostato P> attesa pieno pressostato																			
97	97																				
98	98	<b>OPZIONE EXPRESS:</b> Viene attivata la funzione MENO-Se attivato, nei cicli rapidi esclude spia opzioni																			
99	99	Prevale sulla opzione 3/1																			





	A	B	C	D	E	F	OPZIONE ECO											Tempistica step					
							G	H	I	J	K	L	M	N	O	P	Q		R	S	T	U	V
1	1	<b>FASI DI LAVAGGIO</b>																					
2	2																						
3	3																						
4	4							<b>ALTERATORE</b>						PIU	PIU	BASE	MENO	PIU	BASE	MENO	PIU	BASE	MENO
5	5	<b>RISCIACQUO RESINE ***</b>																					
6	6	*Carico (C) Scarico Sc.Resine																					
7	7	* Scarico																					
8	8	*Carico (C) Scarico Sc.Resine																					
9	9	* Scarico																					
10	10	*Carico (C) Scarico Sc.Resine																					
11	11	<b>PRELAVAGGIO</b>																					
12	12	Scarico																					
13	13	Carico (P)																					
14	14	Carico (C)																					
15	15	Pausa																					
16	16	Carico (C) Lavaggio																					
17	17	Carico (P) Lavaggio																					
18	18	Resistenza																					
19	19	Lavaggio																					
20	20	Lavaggio																					
21	21	Pausa																					
22	22	Scarico																					
23	23	Scarico Pulizia filtro																					
24	24	<b>LAVAGGIO</b>																					
25	25	Carico (P)																					
26	26	Carico (C)																					
27	27	Pausa																					
28	28	Carico (C) Lavaggio																					
29	29	Carico (P) Lavaggio																					
30	30	Lavaggio																					
31	31	Detersivo																					
32	32	Lavaggio Resistenza						45°C	45°C	45°C	45°C				60°C	55°C	45°C	63°C	55°C	58°C			
33	33	Lavaggio																					
34	34	Scarico																					
35	35	Lavaggio																					
36	36	Lavaggio																					
37	37	Lavaggio																					
38	38	Carico (C) Lavaggio																					
39	39	Carico (P) Lavaggio																					
40	40	Lavaggio																					
41	41	Lavaggio																					
42	42	Scarico																					
43	43	Scarico Pulizia filtro																					
44	44	Scarico																					
45	45	<b>RISCIACQUO FREDDO</b>																					
46	46	Carico (P)																					
47	47	Carico (C)																					
48	48	Carico (C) Lavaggio																					
49	49	Carico (P) Lavaggio																					
50	50	Lavaggio																					
51	51	Lavaggio																					
52	52	Lavaggio Scarico																					
53	53	Pausa																					
54	54	Scarico																					
55	55	<b>RISCIACQUO CALDO</b>																					
56	56	Carico (P)																					
57	57	Carico (C)																					
58	58	Carico (C) Lavaggio																					
59	59	Carico (P) Lavaggio																					
60	60	Lavaggio																					
61	61	Lavaggio Rigenero																					
62	62	Lavaggio Resistenza																					
63	63	Lavaggio Brillantante																					
64	64	<b>ASCIUGATURA TRADIZIONALE</b>																					
65	65	Lavaggio Resistenza valore Eeprom																					
66	66	Lavaggio																					
67	67	Lavaggio																					
68	68	Carico (C) Scarico																					
69	69	Rigenero																					
70	70	Scarico																					
71	71	Pausa						10'	10'	10'	10'	10'	10'	10'	10'	10'	10'	10'	10'	10'			
72	72	Pausa																					
73	73	*Carico (C) Scarico Sc.Resine																					
74	74	* Scarico																					
75	75	*Carico (C) Scarico Sc.Resine																					
76	76	* Scarico																					
77	77	*Carico (C) Scarico Sc.Resine																					
78	78	* Scarico																					
79	79	<b>ASCIUGATURA VENTILATA</b>																					
80	80	Lavaggio Resistenza																					
81	81	Lavaggio																					
82	82	Lavaggio Scarico																					
83	83	Carico (C) Rigenero																					
84	84	Scarico																					
85	85	Pausa						10'	10'	10'	10'	10'	10'	10'	10'	10'	10'	10'	10'				
86	86	Pausa																					
87	87	Pausa																					
88	88	Ventilazione																					
89	89	*Carico (C) Scarico Sc.Resine																					
90	90	* Scarico																					
91	91	*Carico (C) Scarico Sc.Resine																					
92	92	* Scarico																					
93	93	*Carico (C) Scarico Sc.Resine																					
94	94	* Scarico																					
95	95	Countdown						210	115	110	55	85	70	60	85	70	60	100	90	65	59	29	5
96	96	P< attesa vuoto pressostato P> attesa pieno pressostato																					
97	97																						
98	98	<b>OPZIONE ECO:</b> Prevale su tutte le altre opzioni-Modifica colonna base, colonna più e colonna meno-Cicli AUTO modificati solo da torbidimetro																					
99	99	Vien eseguito 1 risciacquo nei cicli universale più,intensivo e intensivo più																					
100	100	Diminuisce la temperatura nelle fasi di prelavaggio e lavaggio di 10°C, e comunque non deve scendere al di sotto dei 45°C																					
101	101	La temperatura del lavaggio del ciclo universale rimane 55°C																					
102	102	L'asciugatura verrà eseguita sempre( anche asciugatura auto) con una temperatura di 55°C ed un tempo di 10'																					



	A	B	C	D	E	F	OPZIONE MEZZO CARICO											Tempistica step							
							G	H	I	J	K	L	M	N	O	P	Q		R	S	T	U	V		
1	1	<b>FASI DI LAVAGGIO</b>																							
2	2																								
3	3																								
4	4	<b>ALTERATORE</b>						PIU	PIU	BASE	MENO	PIU	BASE	MENO	PIU	BASE	MENO	PIU	BASE	MENO	PIU	BASE	MENO		
5	5	<b>RISCIACQUO RESINE ***</b>																							
6	6	*Carico (C) Scarico Sc.Resine																							
7	7	* Scarico Sc.Resine																							
8	8	*Carico (C) Scarico Sc.Resine																							
9	9	* Scarico Sc.Resine																							
10	10	*Carico (C) Scarico Sc.Resine																							
11	11	<b>PRELAVAGGIO</b>																							
12	12	Scarico																							
13	13	Carico (P)																							
14	14	Carico (C)																							
15	15	Pausa																							
16	16	Carico (C) Lavaggio																							
17	17	Carico (P) Lavaggio																							
18	18	Lavaggio Resistenza																							
19	19	Lavaggio																							
20	20	Lavaggio Scarico																							
21	21	Pausa																							
22	22	Scarico																							
23	23	Carico (T) Scarico Pulizia filtro																							
24	24	<b>LAVAGGIO</b>																							
25	25	Carico (P)																							
26	26	Carico (C)																							
27	27	Pausa																							
28	28	Carico (C) Lavaggio																							
29	29	Carico (P) Lavaggio																							
30	30	Lavaggio Detersivo																							
31	31	Lavaggio Resistenza																							
32	32	Lavaggio																							
33	33	Lavaggio Scarico																							
34	34	Lavaggio																							
35	35	Lavaggio																							
36	36	Lavaggio																							
37	37	Lavaggio																							
38	38	Carico (C) Lavaggio																							
39	39	Carico (P) Lavaggio																							
40	40	Lavaggio																							
41	41	Lavaggio Scarico																							
42	42	Scarico																							
43	43	Carico (C) Scarico Pulizia filtro																							
44	44	Scarico																							
45	45	<b>RISCIACQUO FREDDO</b>																							
46	46	Carico (P)																							
47	47	Carico (C)																							
48	48	Carico (C) Lavaggio																							
49	49	Carico (P) Lavaggio																							
50	50	Lavaggio																							
51	51	Lavaggio Scarico																							
52	52	Lavaggio																							
53	53	Pausa Scarico																							
54	54	Scarico																							
55	55	<b>RISCIACQUO CALDO</b>																							
56	56	Carico (P)																							
57	57	Carico (C)																							
58	58	Carico (C) Lavaggio																							
59	59	Carico (P) Lavaggio																							
60	60	Lavaggio																							
61	61	Lavaggio Rigenero																							
62	62	Lavaggio Resistenza																							
63	63	Lavaggio Brillantante																							
64	64	<b>ASCIUGATURA TRADIZIONALE</b>																							
65	65	Lavaggio Resistenza valore Eeprom																							
66	66	Lavaggio																							
67	67	Lavaggio Scarico																							
68	68	Carico (C)																							
69	69	Rigenero																							
70	70	Scarico																							
71	71	Pausa																							
72	72	Pausa																							
73	73	*Carico (C) Scarico Sc.Resine																							
74	74	* Scarico Sc.Resine																							
75	75	*Carico (C) Scarico Sc.Resine																							
76	76	* Scarico Sc.Resine																							
77	77	*Carico (C) Scarico Sc.Resine																							
78	78	* Scarico Sc.Resine																							
79	79	<b>ASCIUGATURA VENTILATA</b>																							
80	80	Lavaggio Resistenza																							
81	81	Lavaggio																							
82	82	Lavaggio Scarico																							
83	83	Carico (C)																							
84	84	Rigenero																							
85	85	Scarico																							
86	86	Pausa																							
87	87	Pausa																							
88	88	Ventilazione																							
89	89	*Carico (C) Scarico Sc.Resine																							
90	90	* Scarico Sc.Resine																							
91	91	*Carico (C) Scarico Sc.Resine																							
92	92	* Scarico Sc.Resine																							
93	93	*Carico (C) Scarico Sc.Resine																							
94	94	* Scarico Sc.Resine																							
95	95	Countdown						238	185	170	80	120	105	75	120	105	75	135	125	80					
96	96	P< attesa vuoto pressostato P> attesa pieno pressostato																							
97	97																								
98	98	<b>OPZIONE MEZZO CARICO:</b> Viene attivata la funzione MENO-II display visualizzerà 5 minuti in meno																							

1	2	OPZIONE EXTRA DRY															Tempistica step	
		NOTTE	ECO PLUS	ECO	DELICATO	AUTO UNIVERSALE PLUS	AUTO UNIVERSALE	AUTO GIORNALERO	UNIVERSALE PLUS	UNIVERSALE	GIORNALERO	IGIENIZZANTE	INTENSIVO	FORTE VELOCE	CLASSE A 59'	RAPIDO		AMMOLLO
3		<b>FASI DI LAVAGGIO</b>																
4		<b>ALTERATORE</b>																
5				BASE	MENO	PIU	BASE	MENO	PIU	BASE	MENO	PIU	BASE	MENO	PIU	BASE	MENO	
6		*Carico (C)	Scarico	Sc.Resine														
7			Scarico															
8		*Carico (C)	Scarico	Sc.Resine														
9			Scarico															
10		*Carico (C)	Scarico	Sc.Resine														
11		<b>PRELAVAGGIO</b>																
12			Scarico															
13		Carico (P)																
14		Carico (C)																
15		Pausa																
16		Carico (C)	Lavaggio															
17		Carico (P)	Lavaggio															
18			Lavaggio	Resistenza														
19			Lavaggio															
20			Lavaggio	Scarico														
21			Pausa															
22			Scarico															
23		Carico (T)	Scarico	Pulizia filtro														
24		<b>LAVAGGIO</b>																
25		Carico (P)																
26		Carico (C)																
27		Pausa																
28		Carico (C)	Lavaggio															
29		Carico (P)	Lavaggio															
30			Lavaggio	Detersivo														
31			Lavaggio	Resistenza														
32			Lavaggio															
33			Lavaggio															
34				Scarico														
35			Lavaggio															
36			Lavaggio															
37			Lavaggio															
38		Carico (C)	Lavaggio															
39		Carico (P)	Lavaggio															
40			Lavaggio															
41			Lavaggio	Scarico														
42			Scarico															
43		Carico (C)	Scarico	Pulizia filtro														
44			Scarico															
45		<b>RISCIACQUO FREDDO</b>																
46		Carico (P)																
47		Carico (C)																
48		Carico (C)	Lavaggio															
49		Carico (P)	Lavaggio															
50			Lavaggio															
51			Lavaggio															
52			Lavaggio	Scarico														
53			Pausa															
54			Scarico															
55		<b>RISCIACQUO CALDO</b>																
56		Carico (P)																
57		Carico (C)																
58		Carico (C)	Lavaggio															
59		Carico (P)	Lavaggio															
60			Lavaggio															
61			Lavaggio	Rigenero														
62			Lavaggio	Resistenza														
63			Lavaggio	Brillantante														
64		<b>ASCIUGATURA TRADIZIONALE</b>																
65			Lavaggio	Resistenza	valore Eeprom													
66			Lavaggio															
67			Lavaggio	Scarico														
68		Carico (C)																
69				Rigenero														
70			Scarico															
71			Pausa															
72			Pausa															
73		Carico (C)	Scarico	Sc.Resine														
74			Scarico	Sc.Resine														
75		Carico (C)	Scarico	Sc.Resine														
76			Scarico	Sc.Resine														
77		Carico (C)	Scarico	Sc.Resine														
78			Scarico															
79		<b>ASCIUGATURA VENTILATA</b>																
80			Lavaggio	Resistenza														
81			Lavaggio															
82			Lavaggio	Scarico														
83		Carico (C)																
84				Rigenero														
85			Scarico															
86			Pausa															
87			Pausa															
88			Ventilazione															
89		Carico (C)	Scarico	Sc.Resine														
90			Scarico															
91		Carico (C)	Scarico	Sc.Resine														
92			Scarico															
93		Carico (C)	Scarico	Sc.Resine														
94			Scarico															

Countdown

P< attesa vuoto pressostato

P> attesa pieno pressostato

255 175 160 100 138/128/123/103/113/103 138 123 113 150 140 115 59 29 5

**OPZIONE EXTRA DRY:** asciugatura tradizionale eseguita alla temperatura di 73°C con 40' di pausa, asc.ventilata alla temperatura di 65°C con 5' di pausa e 35' di ventola, inoltre non viene accettata l'opzione EXTRA DRY se l'opzione ECO è già inserita. L'opzione non è attiva con cicli Rapidi(Classa A 59',Rapido e Ammollo)

IMBUTO SALE

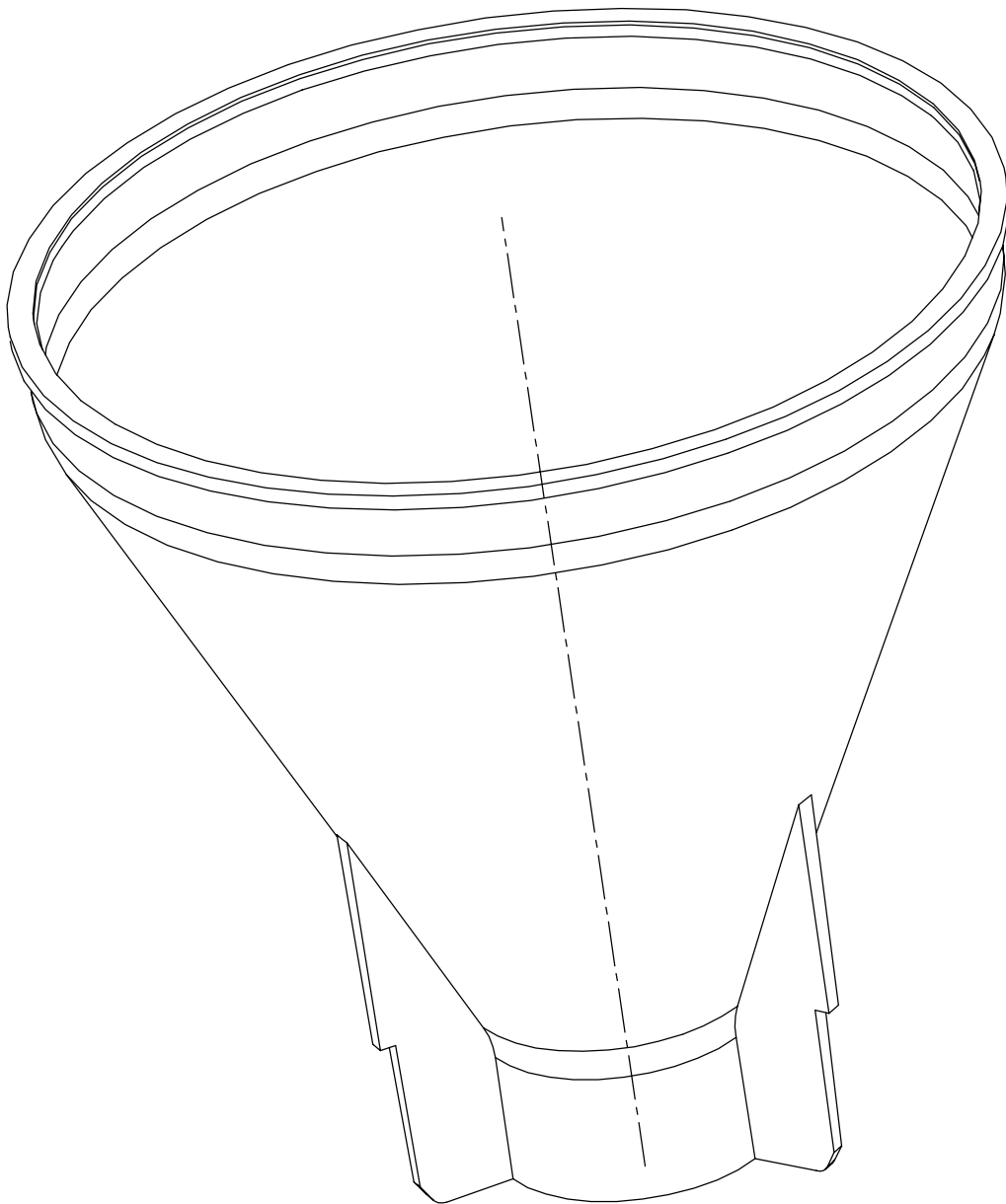
FUNNEL

ENTONNOIR

TRICHTER

EMBUDO

art. 91601457



## TUBI DI CARICO E SCARICO ACQUA DI LUNGHEZZA MAGGIORATA PER LAVASTOVIGLIE PRODOTTE DAL 2009

SU TUTTI I MODELLI E' POSSIBILE SOSTITUIRE IL TUBO DI CARICO E SCARICO ORIGINALI  
CON ANALOGHI DI LUNGHEZZA PARI A **2.5 METRI**.

<b>92250141</b>	PROLUNGA PER TUBO DI CARICO (SENZA SICUREZZA)
<b>49022188</b>	TUBO DI CARICO (SENZA SICUREZZA)
<b>41007951</b>	TUBO DI CARICO CON PROTEZIONE TRASPARENTE
<b>91941797</b>	TUBO DI CARICO PER MODELLI DOTATI DI " <b><u>WATER CONTROL</u></b> " (SISTEMA DI SICUREZZA ANTI ALLAGAMENTO <u>SOLO SUL TUBO</u> ).
<b>41031953</b>	TUBO DI CARICO PER MODELLI DOTATI DI " <b><u>WATER BLOCK</u></b> " (SISTEMA DI SICUREZZA ANTI ALLAGAMENTO TOTALE CON DOPPIA ELETTROVALVOLA SUL TUBO)
<b>41011986</b>	TUBO DI SCARICO SPIRALATO

## EXTENDED LENGHT WATER FILL HOSES AND DRAIN HOSES SUITABLE FOR DISHWASHERS FROM THE 2009 RANGE ONWARD

ON ALL MODELS OF DISHWASHER, IT'S POSSIBLE TO REPLACE THE ORIGINAL WATER FILL  
HOSE WITH A SPARE ONE **2.5 METERS LONG**.

<b>92250141</b>	EXTENSION FILL HOSE (WITHOUT ANY SAFETY DEVICE).
<b>49022188</b>	SIMPLE WATER FILL HOSE (WITHOUT ANY SAFETY DEVICE)
<b>41007951</b>	WATER FILL HOSE WITH TRANSPARENT PROTECTION
<b>91941797</b>	WATER FILL HOSE SUITABLE FOR APPLIANCES FITTED WITH " <b><u>WATER CONTROL</u></b> " (ANTI-FLOOD SAFETY SYSTEM, <b><u>PROTECTING THE ONLY FILL HOSE</u></b> ).
<b>41031953</b>	WATER FILL HOSE SUITABLE FOR APPLIANCES FITTED WITH " <b><u>WATER BLOCK</u></b> " (ANTI-FLOOD SAFETY SYSTEM WITH DOUBLE SOLENOID VALVE ON THE SAME HOSE).
<b>41011986</b>	DRAIN HOSE IN PLASTIC