

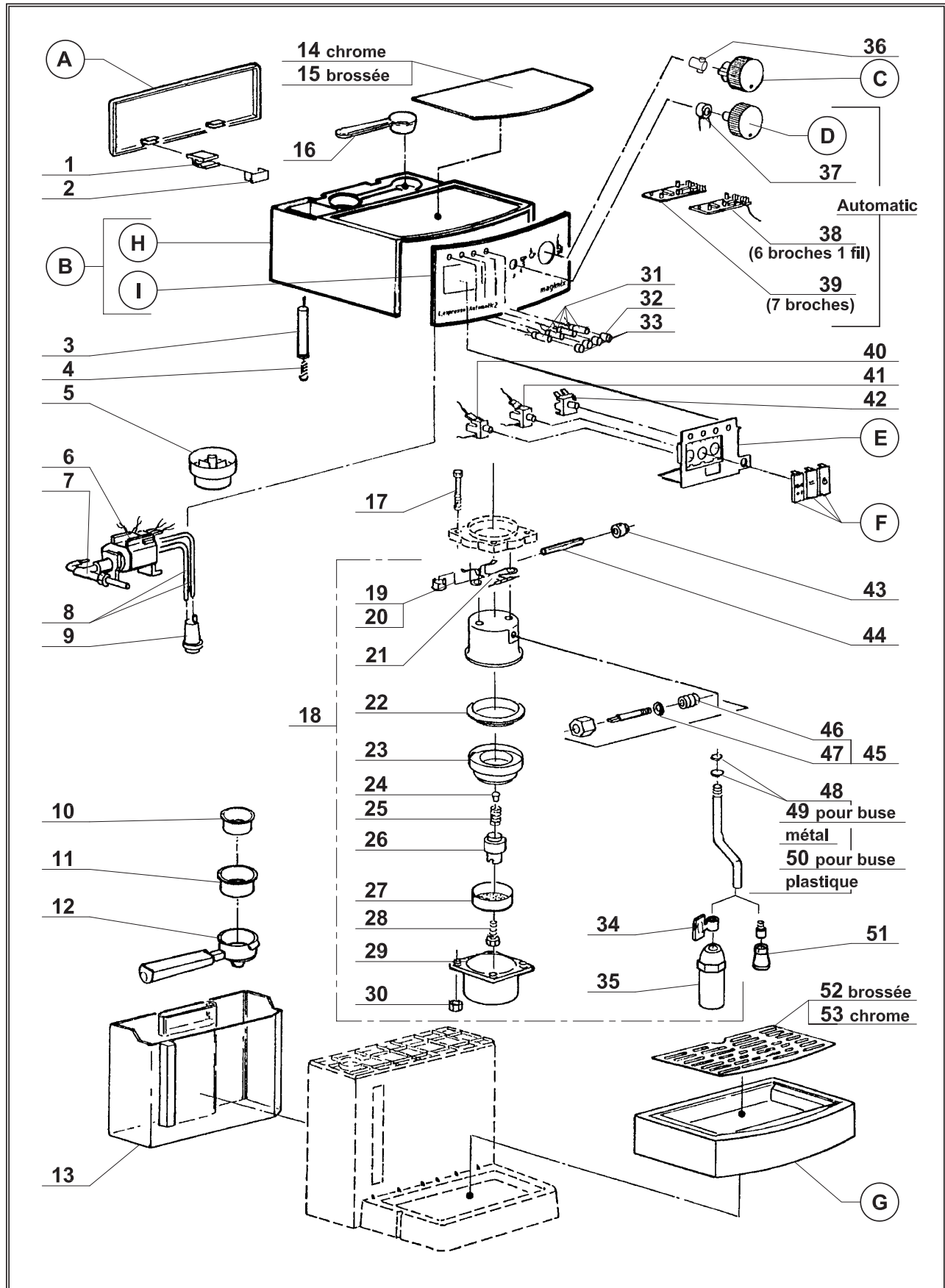
11109 - 11093 - 11111
11106 - 11132 - 11133

EXPRESSO AUTO 2

Sommaire / Summary



Ligne café / Coffee



| <i>Index</i> | <i>Pièce / Part</i> | <i>Désignation</i> | <i>Description</i> |
|--------------|---------------------|-------------------------------------|----------------------------|
| 1 | 502 246 | CHARNIERE COUVERCLE | LID HINGE |
| 2 | 502 247 | CHARNIERE CAPOT | TOP HINGE |
| 3 | 502 257 | ENTRETOISE | BRACE |
| 4 | 502 249 | VIS FIXATION CAPOT | TOP FIXING SCREW |
| 5 | 502 258 | TASSEUR | TAMPEUR |
| 6 | 502 203 | POMPE | PUMP |
| 7 | 502 214 | SYSTEME ANTI-GOUTTE | ANTI-DROP SYSTEM |
| 8 | 502 204 | TUYAU 5x8 | TUBE 5x8 |
| 9 | 502 213 | FILTRE ASPIRATION | SUNCTION FILTRE |
| 10 | 504 814 | FILTRE 1 TASSE | 1 CUP FILTRE |
| 11 | 504 815 | FILTRE 2 TASSES | 2 CUPS FILTRE |
| 12 | 502 241 | PORTE FILTRE | FILTER SUPPORT |
| 13 | 502 238 | RESERVOIR | WATER TANK |
| 14 | 504 027 | PLAQUE SUPERIEURE CHROME | CHROME TOP PLATE |
| 15 | 502 244 | PLAQUE SUPERIEURE BROSSEE | TOP PLATE |
| 16 | 502 243 | CUILLERE MESURE | MEASURING SPOON |
| 17 | 502 236 | VIS FIXATION CHAUDIERE | HEATING ASS SCREW |
| 18 | 504 029 | CORPS DE CHAUFFE COMPLET EXPRESSO 2 | COMPLETE HEATING ELEMENT |
| 19 | 502 217 | THERMOSTAT 95 | THERMOSTAT 95 |
| 20 | 502 218 | THERMOSTAT 130 | THERMOSTAT 130 |
| 21 | 502 219 | THERMO FUSIBLE | THERMO FUSE |
| 22 | 502 220 | JOINT CORPS DE CHAUFFE | HEATING ASS SEAL |
| 23 | 502 227 | JOINT PORTE FILTRE | FILTER SUPPORT SEAL |
| 24 | 502 226 | BOUTON SOUPAPE | VALVE KNOB |
| 25 | 502 225 | RESSORT SOUPAPE | VALVE SPRING |
| 26 | 502 224 | SUPPORT SOUPAPE | VALVE SUPPORT |
| 27 | 502 222 | PASSOIRE | STRAINER |
| 28 | 502 223 | VIS FIXATION | SCREW |
| 29 | 502 221 | SUPPORT PORTE FILTRE | FILTER SUPPORT |
| 30 | 502 237 | ECROU FIXATION CHAUDIERE | HEATING ASS NUT |
| 31 | 502 272 | LAMP | LAMP |
| 32 | 502 271 | VOYANT VERT | GREEN WARNING LIGHT |
| 33 | 502 270 | VOYANT ROUGE | RED WARNING LIGHT |
| 34 | 504 014 | POIGNEE BUSE | STEAM TUBE GRIP |
| 35 | 504 012 | BUSE VAPEUR METAL | METAL STEAMER EXTREMITY |
| 36 | 502 261 | ENTRETOISE BOUTON VAPEUR | STEAM KNOB BRACE |
| 37 | 502 259 | POTENTIOMETRE COMPLET + CONNEXIONS | COMPLETE POTENTIOMETER |
| 38 | 502 202 | PLATINE 6 BROCHES ET 1 FIL | 6 CONNECTION CIRCUIT BOARD |
| 39 | 502 454 | PLATINE 7 BROCHES | 7 CONNECTION CIRCUIT BOARD |
| 40 | 502 266 | INTERRUPTEUR MARCHE/ARRET | ON/OFF SWITCH |
| 41 | 502 267 | INTERRUPTEUR PULSE POMPE | PULSE/PUMP SWITCH |
| 42 | 503 225 | INTERRUPTEUR VAPEUR DOUBLE | DOUBLE STEAM SWITCH |
| 43 | 502 235 | ECROU TUYAU REFOULEMENT | EXHAUST PIPE NUT |
| 44 | 502 234 | TUYAU REFOULEMENT | EXHAUST PIPE |
| 45 | 502 229 | SOUPAPE VAPEUR | STEAM VALVE |
| 46 | 502 231 | GRAND JOINT ROBINET | TAP BIG SEAL |
| 47 | 502 230 | PETIT JOINT ROBINET | TAP SMALL SEAL |
| 48 | 502 233 | JOINT TUBE VAPEUR | STEAM TUBE SEAL |
| 49 | 504 020 | TUBE VAPEUR BUSE METAL | METAL STEAM TUBE |
| 50 | 502 232 | TUBE VAPEUR BUSE PLASTIQUE | STEAM TUBE |
| 51 | 502 228 | BUSE VAPEUR PLASTIQUE | STEAMER EXTREMITY |
| 52 | 504 028 | GRILLE CHROME | CHROME GRID |
| 53 | 502 240 | GRILLE | GRID |

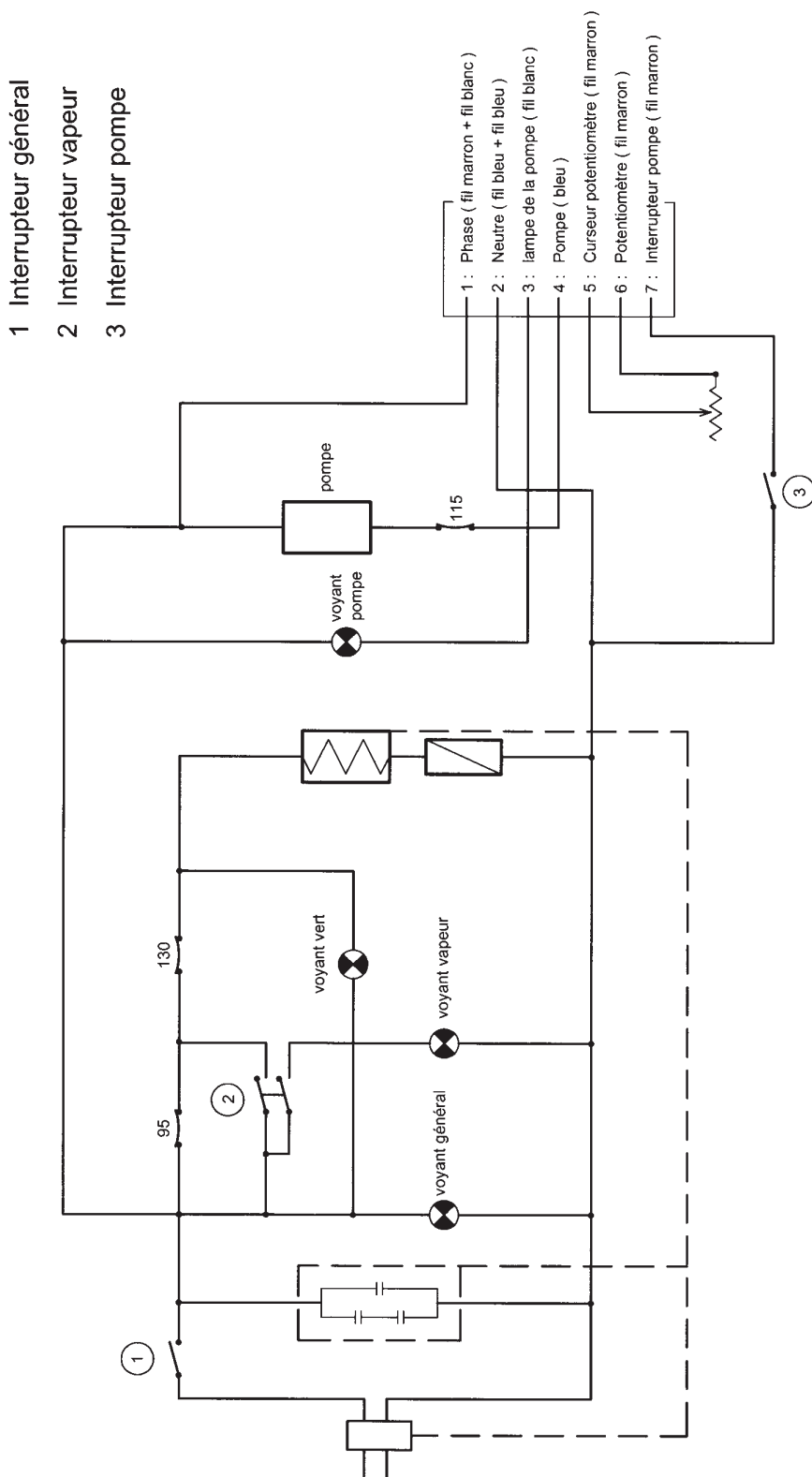


EXPRESSO AUTO 2

11109 - 11093 - 11111
11106 - 11132 - 11133

| <i>Index</i> | <i>Désignation</i> | <i>Description</i> | | | | | | | |
|--|---------------------------------|---------------------------|---------|---------|---------|--------|---------|---------|---------|
| A | COUVERCLE | LID | | | | | | | |
| B | ENSEMBLE CAPOT | TOP CASE | | | | | | | |
| C | BOUTON VAPEUR | STEAM KNOB | | | | | | | |
| D | BOUTON VOLUME D'EAU | WATER VOLUME KNOB | | | | | | | |
| E | SUPPORT INTERRUPTEUR | SWITCH SUPPORT | | | | | | | |
| F | TOUCHES VAPEUR-EAU-MARCHE ARRET | STEAM-WATER-ON/OFF BUTTOM | | | | | | | |
| G | BAC COLLECTEUR | COLLECTING TRAY | | | | | | | |
| H | CAPOT ARRIERE | BEHIND TOP CASE | | | | | | | |
| I | FACADE CAPOT | FRONT PANEL | | | | | | | |
| Machine | A | B | C | D | E | F | G | H | I |
| 11009 Anthracite | 502 828 | 19 335 | 19 336 | 19 336 | 502 269 | 19 333 | 502 842 | 503 983 | 503 984 |
| 11093 Noir mat | 502 828 | 502 826 | 502 832 | 502 834 | 502 269 | 19 333 | 502 842 | 503 983 | 503 984 |
| 11106/11133 Chrome | 502 828 | - | 504 023 | 504 024 | 502 269 | 19 333 | 502 842 | 503 983 | 504 030 |
| 11111/11132 Noir mat Nouveau bouton | 502 828 | - | 504 023 | 504 024 | 502 269 | 19 333 | 502 842 | 503 983 | 503 984 |

CAFETIERE EXPRESSO AUTO 2 AVEC PLATINE ELECTRONIQUE 7 BROCHES 502215
SCHEMA ELECTRIQUE REF : 11009/11093/11106/11111



C : 05/03

N° 401774

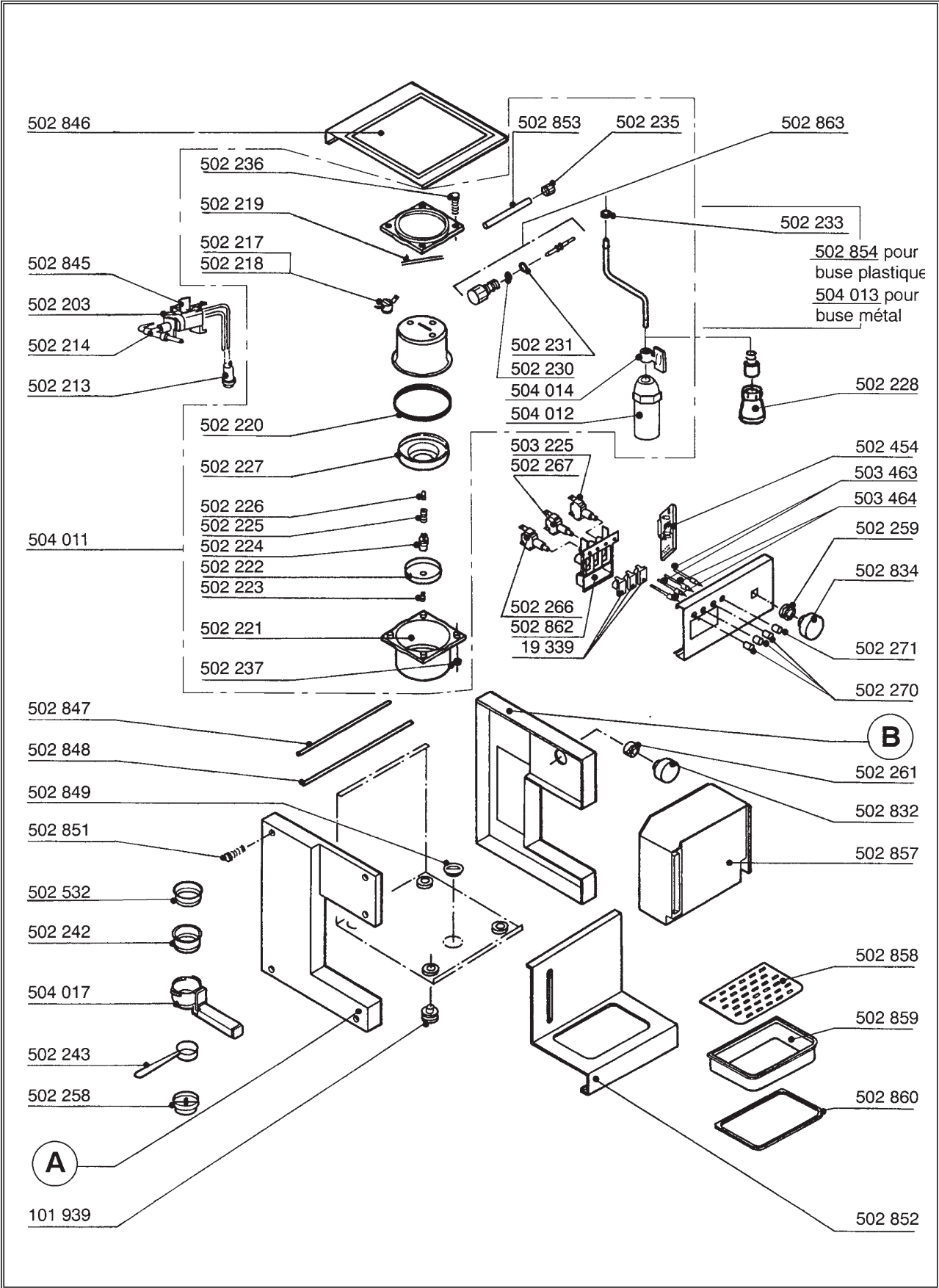
magimix

11079 / 11113

EXPRESSO AUTO LIGNE PRO Noir/Jaune

Sommaire / Summary 

Ligne Café / Coffee 



magimix®

**EXPRESSO AUTO
LIGNE PRO
Noir/Jaune**

11079 / 11113

| A | CAPOT GAUCHE | / | LEFT SIDE |
|-----------|----------------------------|----------|----------------------------|
| B | CAPOT DROIT | / | RIGHT SIDE |
| | | A | B |
| | Expresso Pro noir | 502 850 | 502 861 |
| | Expresso Pro jaune | 504 015 | 504 016 |
| REFERENCE | DESIGNATION | | |
| 19 339 | TOUCHE MARCHE/EAU/VAPEUR | / | ON/OFF SWITCH STEAM |
| 101 939 | PIED | / | FEET |
| 502 203 | POMPE | / | PUMP |
| 502 213 | FILTRE ASPIRATION | / | SUNCTION FILTRE |
| 502 214 | SYSTEME ANTI-GOUTTE | / | ANTI-DROP SYSTEM |
| 502 217 | THERMOSTAT 95 | / | THERMOSTAT 95 |
| 502 218 | THERMOSTAT 130 | / | THERMOSTAT 130 |
| 502 219 | THERMO FUSIBLE | / | THERMO FUSE |
| 502 220 | JOINT CORPS DE CHAUFFE | / | HEATING ASS SEAL |
| 502 221 | SUPPORT PORTE FILTRE | / | FILTER SUPPORT |
| 502 222 | PASSOIRE | / | STRAINER |
| 502 223 | VIS FIXATION | / | SCREW |
| 502 224 | SUPPORT SOUPAPE | / | VALVE SUPPORT |
| 502 225 | RESSORT SOUPAPE | / | VALVE SPRING |
| 502 226 | BOUTON SOUPAPE | / | VALVE KNOB |
| 502 227 | JOINT PORTE FILTRE | / | FILTER SUPPORT SEAL |
| 502 228 | BUSE VAPEUR PLASTIQUE | / | STEAMER EXTREMITY |
| 502 230 | PETIT JOINT ROBINET | / | TAP SMALL SEAL |
| 502 231 | GRAND JOINT ROBINET | / | TAP BIG SEAL |
| 502 233 | JOINT TUBE VAPEUR | / | STEAM TUBE SEAL |
| 502 235 | ECROU TUYAU REFOULEMENT | / | EXHAUST PIPE NUT |
| 502 236 | VIS FIXATION CHAUDIERE | / | HEATING ASS SCREW |
| 502 237 | ECROU FIXATION CHAUDIERE | / | HEATING ASS NUT |
| 502 242 | FILTRE EXTRACREM | / | EXTRACREM FILTER |
| 502 243 | CUILLERE MESURE | / | MEASURING SPOON |
| 502 258 | TASSEUR | / | TAMPEUR |
| 502 259 | POTENTIOMETRE COMPLET | / | COMPLETE POTENTIOMETER |
| 502 261 | ENTRETOISE BOUTON VAPEUR | / | STEAM KNOB BRACE |
| 502 266 | INTERRUPTEUR MARCHE/ARRET | / | ON/OFF SWITCH |
| 502 267 | INTERRUPTEUR PULSE POMPE | / | PULSE/PUMP SWITCH |
| 502 270 | VOYANT ROUGE | / | RED WARNING LIGHT |
| 502 271 | VOYANT VERT | / | GREEN WARNING LIGHT |
| 502 454 | PLATINE 7 BROCHES | / | 7 CONNECTION CIRCUIT BOARD |
| 502 532 | FILTRE EXTRA CREME 1 TASSE | / | EXTRACREM FILTER 1 CUP |
| 502 832 | BOUTON VAPEUR | / | STEAM KNOB |
| 502 834 | BOUTON VOLUME D'EAU | / | WATER VOLUME KNOB |
| 502 844 | TUYAU | / | TUBE |
| 502 845 | THERMOSTAT POMPE | / | THERMOSTAT PUMP |
| 502 846 | PLAQUE SUPERIEURE | / | TOP PLATE |
| 502 847 | ENTRETOISE (PETITE) | / | BRACE (LITTLE) |
| 502 848 | ENTRETOISE (GRANDE) | / | BRACE (HIGHT) |

magimix®**EXPRESSO AUTO
LIGNE PRO
Noir/Jaune****11079 / 11113**

| REFERENCE | DESIGNATION |
|-----------|--|
| 502 849 | BOUCHON / CAP |
| 502 851 | VIS / SCREW |
| 502 852 | FACE AVANT BASSE / LOWER FRONT FACE |
| 502 853 | TUYAU REFOULEMENT / EXHAUST PIPE |
| 502 854 | TUBE VAPEUR / STEAM TUBE |
| 502 857 | RESERVOIR / WATER TANK |
| 502 858 | GRILLE / GRID |
| 502 859 | BAC COLLECTEUR / COLLECTING TRAY |
| 502 860 | JOINT BAC COLLECTEUR / COLLECTOR SEAL |
| 502 862 | SUPPORT INTERRUPTEUR / SWITCH SUPPORT |
| 502 863 | ROBINET VAPEUR / STEAM VALVE |
| 503 225 | INTERRUPTEUR VAPEUR DOUBLE / DOUBLE STEAM SWITCH |
| 503 463 | LAMPE VERTE + LAMPE ROUGE / LAMP |
| 503 464 | LAMPE ROUGE + LAMPE ROUGE / LAMP |
| 504 011 | CORPS DE CHAUFFE COMPLET / COMPLETE HEATING ASS |
| 504 012 | BUSE VAPEUR METAL / STEAMER EXTREMITY METAL |
| 504 013 | TUBE VAPEUR BUSE METAL / STEAM TUBE METAL |
| 504 014 | POIGNEE BUSE / STEAM TUBE GRIP |
| 504 017 | PORTE FILTRE LAITON / BRASS FILTER SUPPORT |