



CB 184

# LIST OF THE EXPLODED VIEWS



*SHELL - ABS*

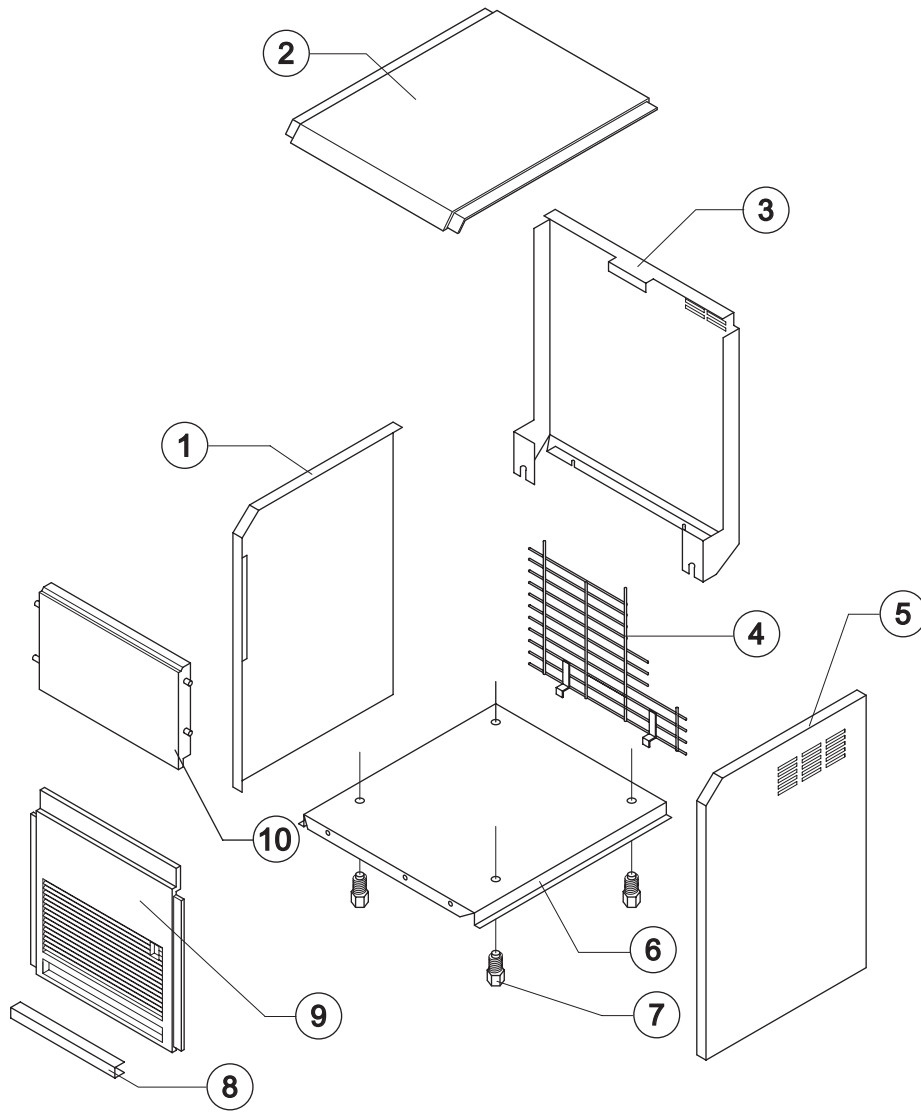
*SHELL - STAINLESS STEEL*

*COOLING SYSTEM*

*HYDRAULIC CIRCUIT*

*SPRAYER PUMP*

*ELECTRIC PARTS*



### Panels - Blue Version

Ref.	Spare Description	Code
1	Left Side Panel	10061
2	Top	10062
5	Right Side Panel	10060
8	Screws Cover	10069
9	Front Grid Panel	10063
10	Door	10081

### Panels - Grey Version

Ref.	Spare Description	Code
1	Left Side Panel	10105
2	Top	10102
5	Right Side Panel	10099
8	Screws Cover	10098
9	Front Grid Panel	10101
10	Door	10103

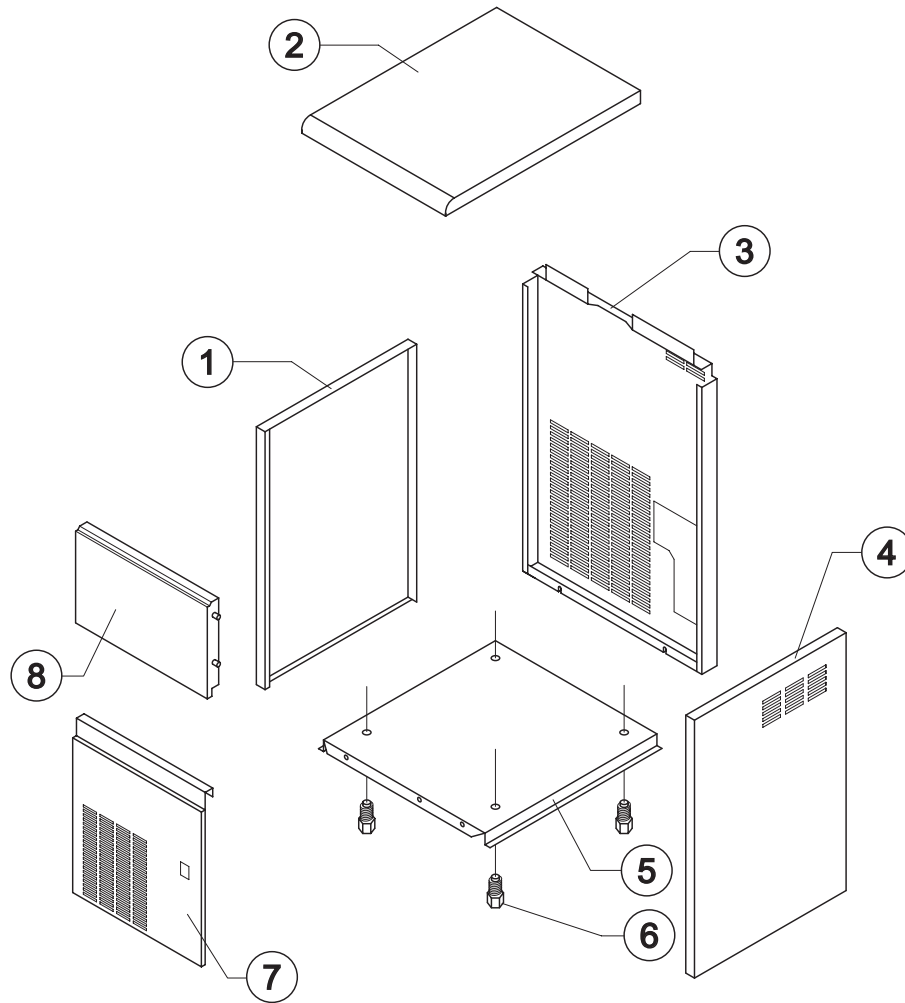
### Common Finishes

Ref.	Spare Description	Code
3	Rear Panel	21064
4	Rear Grid	D12028
6	Base Plate	21062
7	Foot	10017



# CB 184

## SHELL - STAINLESS STEEL

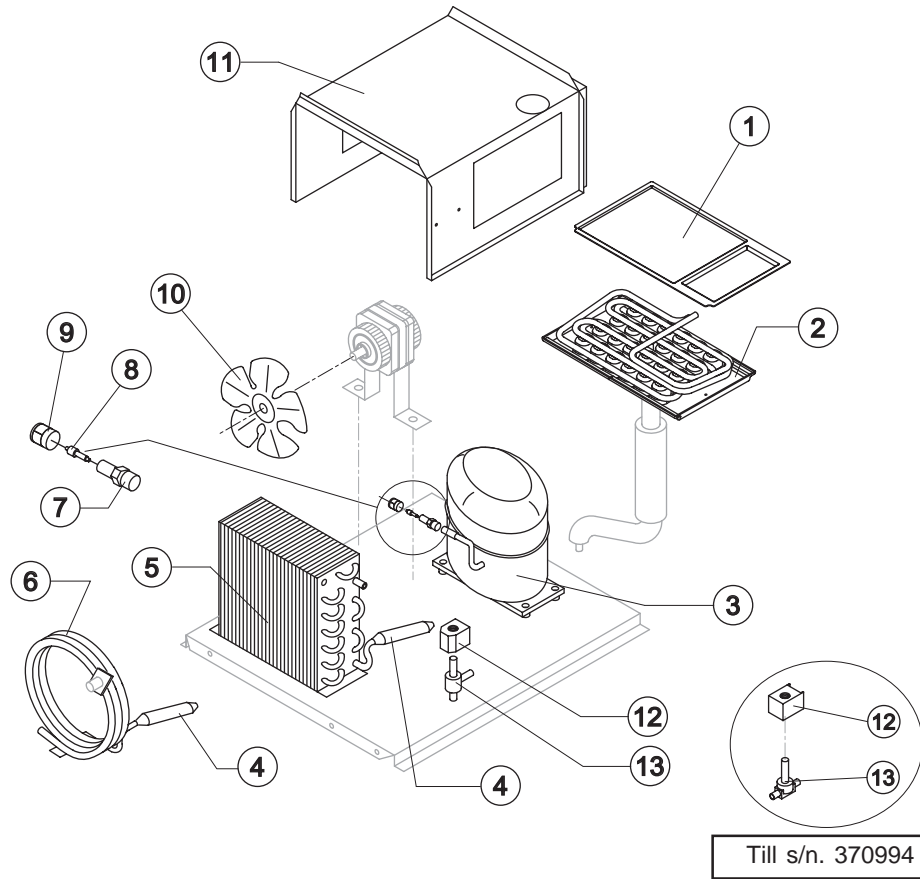


Ref.	Spare Description	Code	
1	Left Side Panel	22713	
2	Top	C22714	
3	Rear Panel	21235	
4	Right Side Panel	22712	
5	Base Plate	21062	
6	Foot	10017	
7	Front Grid Panel	Current Version	221070
7	Front Grid Panel	Till s/n. 385216	22700
8	Dark Grey Door		10277



# CB 184

# COOLING SYSTEM



### Common Parts

Ref.	Spare Description	Code
1	Evaporator Cover Panel	from s/n. 230067 10498
2	Evaporator	D10079
3	Compressor	See Table -
4*	Molecular Drier	14009
7	Vacuum-Charge Valve Body	14007
8*	Vacuum-Charge Valve Device	14005
9*	Vacuum-Charge Valve Plug	14006
11	Bin Support Saddle	21443
12*	Hot Gas Valve Coil	See Table -
13*	Hot Gas Valve Body	Current Version 20853
13	Hot Gas Valve Body	Till s/n. 370994 20410

### Parts for Air-Cooled Version Only

Ref.	Spare Description	Code
5	Air Condenser	20094
10	Sucking Fan	20095

### Parts for Water-Cooled Version Only

Ref.	Spare Description	Code
6	Water Condenser	Current Version 14593
6	Water Condenser	Till s/n. 370994 14348
10	Sucking Fan	Till s/n. 370994 10213

### Ref. 3 - Compressor

Voltage	Code	
	Current Version	Till s/n. 416883
T11	23886	23436
T12	23494A	23494
T13	231036	23446
T19	231036	23446

### Ref. 12\* - Hot Gas Valve Coil

Voltage	Code	
	Current Version	Till s/n. 370994
T11	23854	23091
T12	23854	23091
T13	23855	23256
T19	23855	23256

Rev. 14 - 16/01/2015



# CB 184

# HYDRAULIC CIRCUIT

### Common Parts

Ref.	Spare Description	Code
1	Bulbe- holder pipe	20520
2	Foamed Bin	R11016/E
3	Ice Cubes Slide	Current Version C10626
3	Ice Cubes Slide	Till s/n. 567305 K10626
4	Slide Keep Plate	10142
6	Panel with Flags	Till s/n. 380376 K10532
7*	Overflow Pipe	13028
8*	Evaporator Feeding Pipe Assy	C20535
9	Inner Basin	10064
10	Water Outlet Nipple	10472
11	Silicone Gasket	13006
12	Semirigid Polyethylene Gasket	13007
13	Bin Discharge Nut	10096
15	Fixing Screw	Till s/n. 380376 20009
16	Flags ABS Support	Current Version 10530
17	Flags with Rod	Current Version C10532

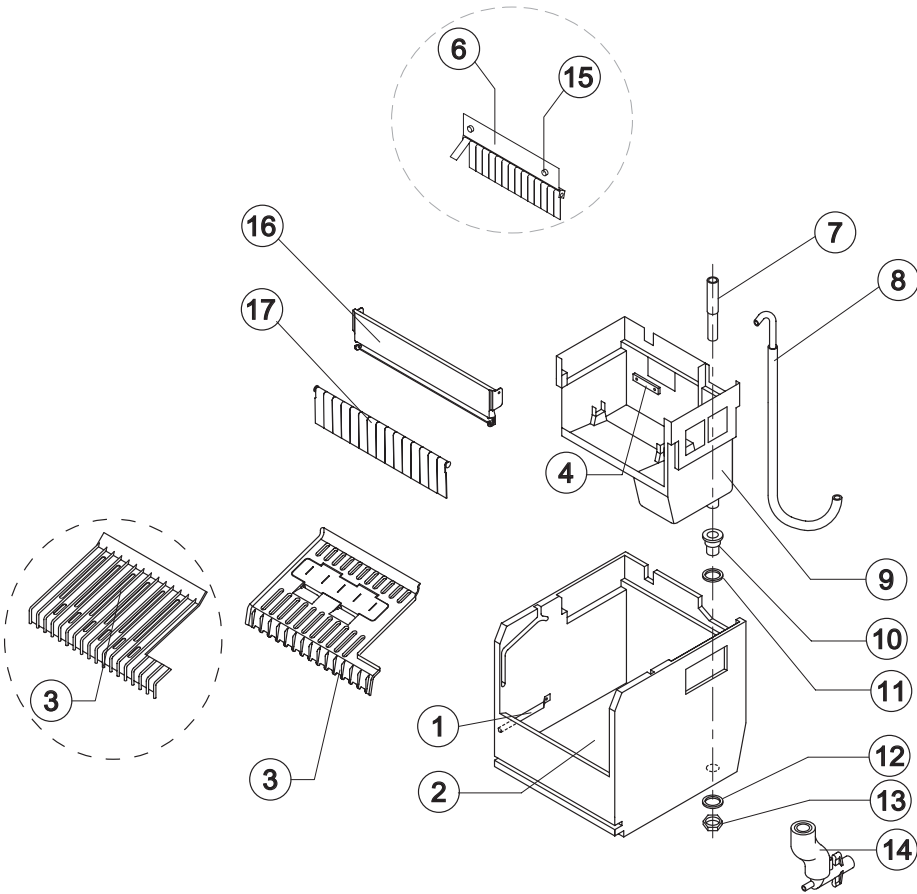
### Parts for Air-Cooled Version Only

Ref.	Spare Description	Code
14	Discharges Manifold	C10006

### Parts for Water-Cooled Version Only

Ref.	Spare Description	Code
14	Discharges Manifold	C26452

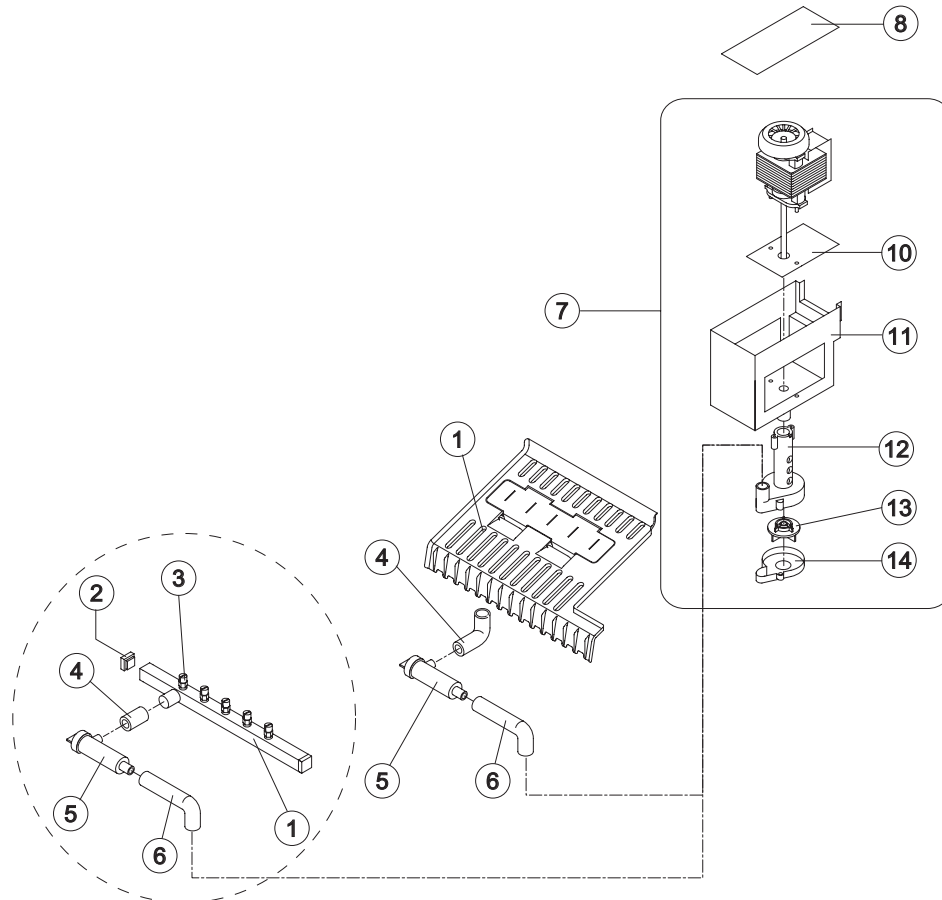
Rev. 14 - 16/01/2015



Till s/n. 567305



Rev. 14 - 16/01/2015



Till s/n. 567305

Ref.	Spare Description	Code
1*	Sprayers Bar Assembly	Current Version C10626
1*	Sprayers Bar Assembly	Till s/n. 567305 K10626
2	Sprayers Bar Plug	Till s/n. 567305 10012
3	Sprayers	Till s/n. 567305 D20002
4	Filter-Sprayers Bar Connection Pipe	Current Version 13005
4	Filter-Sprayers Bar Connection Pipe	Till s/n. 567305 13056
5*	Pump Filter	10139
6	Pump-Filter Connection Pipe	13055
7*	Pump Assy	See Table -
8	Pump Cover	10647
10	Heat Dissipator	22430
11	Pump Motor Box	10073
12	Pump Body	10065
13	Pump Impeller	10066
14	Diffusor	10067

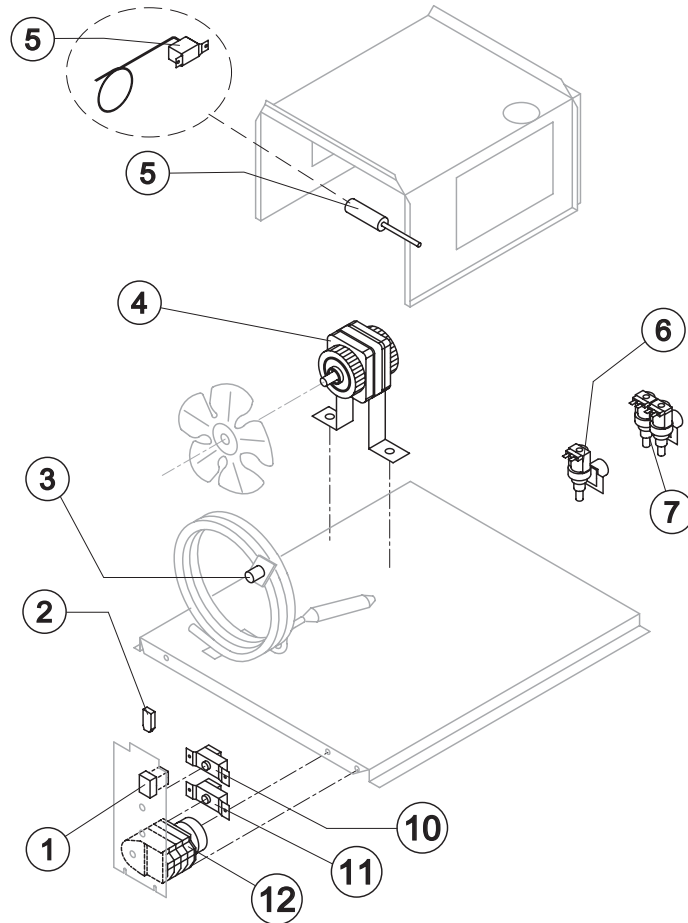
### Ref. 7\* - Pump Assy

Voltage	Code	Code
	Current Version	Till s/n. 416883
T11	C23858	C23076
T12	C23892	C23270
T13	C23893	C23271
T19	C23893	C23271



# CB 184

# ELECTRIC PARTS



### Common Parts

Ref.	Spare Description	Code
1*	Green Light Switch (On-Off)	Current Version
1	Green Light Switch (On-Off)	Till s/n. 385216
10*	Bin Thermostat	R23005
11*	Evaporator Thermostat	R23591
12*	Timer	See Table

### Parts for Air-Cooled Version Only

Ref.	Spare Description	Code
4*	Fan Motor	See Table
6*	1 Way- Water Inlet Valve	See Table

### Parts for Water-Cooled Version Only

Ref.	Spare Description	Code
2	Anti Radio Interference Filter	Only T11
3*	Safety Thermostat	C23114
4	Fan Motor	Till s/n. 370994
5*	Condenser Pressure Switch	Current Version
5	Condenser Pressure Switch	Till s/n. 447841
7*	2 Ways- Water Inlet Valve	See Table

#### Ref. 4\* - Fan Motor

Voltage	Code
T11	23029
T12	23029
T13	23683
T19	23683

#### Ref. 5\* - Cond. Pressure Switcho

Voltage	Code
T11	23175
T12	23175
T13	23175
T19	23680

#### Ref.6\* - 1 Way-Water Inlet Valve

Voltage	Code
T11	23497
T12	23497
T13	23499
T19	23499

#### Ref. 7\* - 2 Ways-Water Inlet Valve

Voltage	Code
T11	23498
T12	23498
T13	23500
T19	23500

#### Ref. 12\* - Timer

Voltage	Code
T11	23247
T12	231077
T13	23258
T19	23258