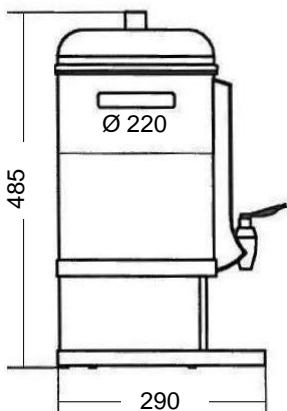




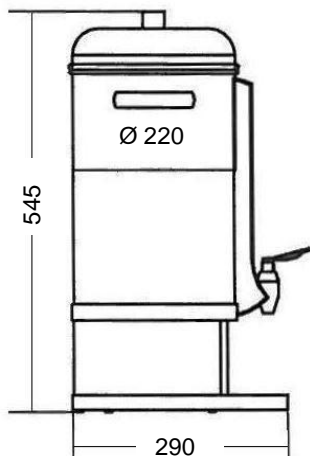
**Bartscher  
PRO Plus 40T**  
A190145

**Bartscher  
PRO Plus 60T**  
A190165

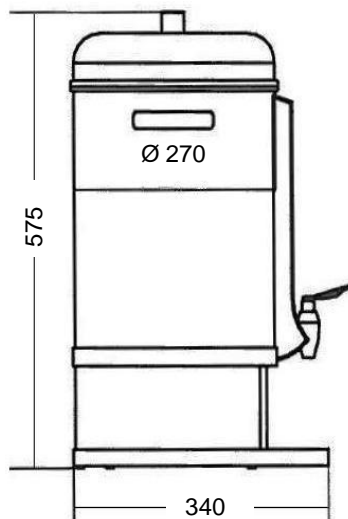
**Bartscher  
PRO Plus 100T**  
A190195



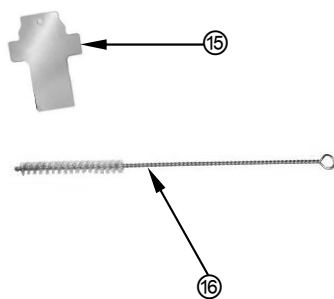
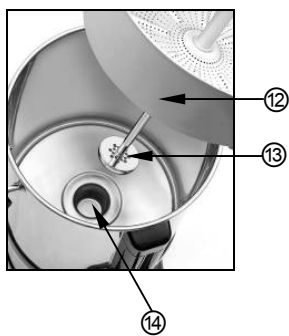
**A190145**



**A190165**



**A190195**



**ENGLISH**  
**Translation**  
**of the original instruction manual**



**Read these instructions before using and keep them available at all times!**

- 1. General information ..... 20**
  - 1.1 Information about the instruction manual ..... 20
  - 1.2 Key to symbols ..... 20
  - 1.3 Liability and Warrantees ..... 21
  - 1.4 Copyright protection ..... 21
  - 1.5 Declaration of conformity ..... 21
- 2. Safety ..... 22**
  - 2.1 General information ..... 22
  - 2.2 Safety instructions for use of the device ..... 22
  - 2.3 Intended use ..... 23
- 3. Transport, packaging and storage ..... 24**
  - 3.1 Delivery check ..... 24
  - 3.2 Packaging ..... 24
  - 3.3 Storage ..... 24
- 4. Technical data ..... 25**
  - 4.1 Technical specification ..... 25
  - 4.2 Overview of parts ..... 26
- 5. Installation and operation ..... 27**
  - 5.1 Safety instructions ..... 27
  - 5.2 Installation and connection ..... 27
  - 5.3 Operation ..... 28
- 6. Cleaning and maintenance ..... 31**
  - 6.1 Safety advice ..... 31
  - 6.2 Cleaning and descaling ..... 32
  - 6.3 Safety instructions for maintenance ..... 35
- 7. Possible Malfunctions ..... 35**
- 8. Waste disposal ..... 36**

Bartscher GmbH  
Franz-Kleine-Str. 28  
D-33154 Salzkotten  
Germany

phone: +49 (0) 5258 971-0  
fax: +49 (0) 5258 971-120

## 1. General information

### 1.1 Information about the instruction manual

This instruction manual contains information about the installation, operation and maintenance of the device and should be consulted as an important source of information and reference guide.

Awareness of the safety instructions and instructions for use in this manual will ensure the safe and correct use of the device.

In addition to the information given here, you should comply with any local Health and safety Controls and generally applicable safety regulations.

The instruction manual forms part of the product and should be kept near the device and easily accessible for anyone carrying out the installation, servicing, maintenance or cleaning.

### 1.2 Key to symbols

In this manual, symbols are used to highlight important safety instructions and any advice relating to the device. The instructions should be followed very carefully to avoid any risk of accident, personal injury or material damage.



#### **WARNING!**

*This symbol highlights hazards, which could lead to injury.*

*Please follow the instructions very carefully and proceed with particular attention in these cases.*



#### **WARNING! Electrical hazard!**

*This symbol draws attention to potential electrical hazards. If you do not follow the safety instructions, you may risk injury or death.*



#### **CAUTION!**

*This symbol highlights instructions, which should be followed to avoid any risk of damage, malfunctioning and/or breakdown of the device.*



#### **NOTE!**

*This symbol highlights tips and information, which have to be followed for an efficient and trouble-free operation of the device.*



#### **WARNING! Hot surface!**

*This symbol is a warning that the device surface is hot when in use. Ignoring this warning may result in burns!*

### 1.3 Liability and Warrantees

All the information and instructions in this manual take into account standard safety regulations, current levels of technical engineering as well as the expertise and experience we have developed over the years.

The instruction manual was translated with all due care and attention. However, we do not accept liability for any translation errors. The German version of this instruction manual is definitive.

If the delivery consists of a special model, the actual scope of delivery may differ from the descriptions and illustrations in this manual. This is also the case for special orders or when the device has been modified in line with new technology.



#### **NOTE!**

***Read this manual carefully and thoroughly before any operation of the device, and especially before turning it on!***

Manufacturer **is not liable** for any damages or faults caused by:

- violation of advice concerning operation and cleaning;
- use other than designed;
- alterations made by user;
- use of inadequate spare parts.

We reserve the right to make technical changes for purposes of developing and improving the useful properties.

### 1.4 Copyright protection

The instruction manual including any texts, drawings, images or other illustrations is copyright. No part of this publication may be reproduced, transmitted or used in any form or by any means without permission in writing from the manufacturer. Any person who commits any unauthorized act in relation to this publication shall be liable to claims for damages. All rights reserved.



#### **NOTE!**

***The contents, texts, drawings, pictures and any other illustrations are copyright and subject to other protection rights. Any person unlawfully using this publication is liable to criminal prosecution.***

### 1.5 Declaration of conformity



The device complies with the current standards and directives of the EU. We certify this in the EC declaration of conformity. If required we will be glad to send you the according declaration of conformity.

## 2. Safety

This section provides an overview of all important safety aspects.

In addition every chapter provides precise safety advice for the prevention of dangers which are highlighted by the use of the above mentioned symbols.

Furthermore, attention should be paid to all pictograms, markers and labels on the device, which must be kept in a permanent state of legibility.

By following all the important safety advice you gain an optimal protection against all hazards as well as the assurance of a safe and trouble-free operation.

### 2.1 General information

This device is designed in accordance with the presently applicable technological standards. However, the device can pose a danger if handled improperly and inappropriately.

Knowing the contents of the instruction manual as well as avoiding mistakes and thus operating this device safely and in a fault-free manner is very essential to protect yourselves from the hazards.

To prevent hazards and to ensure optimum efficiency, no modifications or alterations to the device that are not explicitly approved by the manufacturer may be undertaken.

This device may only be operated in technically proper and safe condition.

### 2.2 Safety instructions for use of the device

The specifications regarding the industrial safety are based on the Regulations of the European Union applicable at the time of manufacturing the device.

If the device is used commercially, the user is obliged to ensure that the said industrial safety measures concur with the state of the rules and regulations applicable at the time in question for the entire period of use of the device and to comply with the new specifications.

Outside the European Union, the industrial safety laws applicable at the place of installation of the device and the regional territorial provisions must be complied with.

Besides the industrial safety instructions in the instruction manual, the general safety and accident prevention regulations as well as environment protection regulations applicable for area of application of the device must be followed and complied with.



#### **CAUTION!**

- The device can be used by children **8 years and up**, as well as by people with disabilities and those with limited experience/knowledge as long as they are under supervision or have been instructed on proper use of the device and its possible dangers.

- **Children** should not play with the device.
- Cleaning and **maintenance cannot be performed by children** younger than 8 years old and must be done under supervision.
- **Children under the age of 8 years old** must be kept away from the device and its power cord.
- Please keep these instructions and give them to future owners of the device.
- All people using the device should follow the instructions and tips contained in these instructions.
- Only use the device indoors.

## 2.3 Intended use

Safe operation is only guaranteed when using the device for its intended purpose.

Any technical interventions, as well as assembly and maintenance are to be made by a qualified customer service only.

The device is intended for home use or in similar places such as:

- in kitchens for store or office employees or in other service locations;
- in suburban properties;
- by guests of hotels, motels and other places of accommodation;
- in Bed & Breakfasts.

**The coffee maker with round filter** is **only** intended for the preparation of **coffee** and **warm or hot water** using cold water.

**Do not use the coffee maker with round filter for:**

- preparing other beverages;
- heating or cooking liquids containing sugar, sweetener, acid, lye or alcohol;
- filling and heated liquids and other substances that are combustible, harmful to the health or quickly become volatile.



### **CAUTION!**

***Any use going beyond the intended purpose and/or any different use of the device is forbidden and is not considered as conventional.***

***Any claims against the manufacturer or his authorized representative as a consequence of experiencing damages resulting from unconventional use are impossible.***

***The operator is liable for all damages resulting from inappropriate use.***



## 3. Transport, packaging and storage

### 3.1 Delivery check

Please check the delivery upon completeness and transport damage immediately after receipt. In case of visible damage do not accept or accept the delivery with reservation only.

Note the extent of damage on the carrier's bill of delivery. Trigger off the complaint.

Hidden damages should be reclaimed immediately after notice, as claims for damages can only be asserted within the effective period for complaints.

### 3.2 Packaging

Please do not throw away the covering carton of your device as it might be useful for storage purposes, when moving or, in case of damages, when the device must be sent back to a repair center. The outer and inner packing material should be removed completely from the device before installation.



#### **NOTE!**

***If you liked to dispose the packing, consider the regulations applicable in your country. Supply re-usable packing materials to the recycling.***

Please inspect the device upon completeness. In case any part is missing please contact our customer service center immediately.

### 3.3 Storage

Keep the package closed until installation and under consideration of the outside indicated positioning- and storage markings.

Packages should be stored under consideration of the following:

- Do not store outdoors.
- Keep it dry and dust-free.
- Do not expose it to aggressive media.
- Do not expose it to direct sunlight.
- Avoid mechanical shocks and vibration.
- In case of longer storage (> 3 months) make sure you check the state of the packaging and the parts regularly.  
If required refresh or renew.




## 4. Technical data

### 4.1 Technical specification

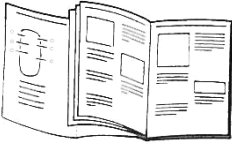
Name	Coffee maker with round filter		
Model:	<b>Bartscher PRO Plus 40T</b>	<b>Bartscher PRO Plus 60T</b>	<b>Bartscher PRO Plus 100T</b>
Code-No:	<b>A190145</b>	<b>A190165</b>	<b>A190195</b>
Material:	High-grade stainless steel housing		
Power supply:	230 V~ 50 Hz		
Power:	1.2 kW	1.2 kW	1.6 kW
Capacity:	6.0 litres	9.0 litres	15.0 litres
Brewing time for maximum capacity:	approx. 45 min.	approx. 60 min.	approx. 60 min.
Maximum output:	approx. 40-48 cups	approx. 60-72 cups	approx. 100-110 cups
Minimum brewed amount:	3 litres (20 cups)	4.5 litres (30 cups)	4.5 litres (30 cups)
Dimensions (mm):	Ø 220, height 485	Ø 220, height 545	Ø 270, height 575
Weight:	4.0 kg	5.0 kg	6.5 kg

We reserve the right to make technical changes!

### Additional equipment (not included in the delivery!)

	<b>Round paper filter PRO 40T + PRO 60T</b> (250 pieces per package)	<b>Code-No.:A190009250</b>
	<b>Round paper filter PRO 40T + PRO 60T</b> (1000 pieces per package)	<b>Code-No.: A190009</b>
	<b>Round paper filter PRO 100T</b> (250 pieces per package)	<b>Code-No.: A190011250</b>
	<b>Round paper filter PRO 100T</b> (1000 pieces per package)	<b>Code-No.: A190011</b>
	<b>Quick descaler for coffee makers</b> (30 bags 15 g each)	<b>Code-No.: 190065</b>

## 4.2 Overview of parts



### **NOTE!**

*On the folded page of the instruction manual is listed the most important components of the coffee maker. This page should always be opened when reading the instruction manual.*

- ① Cover handle
- ② Cover
- ③ Water container handle
- ④ Water container
- ⑤ Indicator light for maintaining hot water (green)
- ⑥ Descaling indicator (red)
- ⑦ **ON/OFF switch** with integrated indicator light (red)
- ⑧ Base
- ⑨ Drain
- ⑩ Faucet
- ⑪ Fill level indicator
- ⑫ Filter basket
- ⑬ Riser pipe
- ⑭ Heating hole
- ⑮ Scale deposit scraper
- ⑯ Cleaning brush

## 5. Installation and operation

### 5.1 Safety instructions

- Never allow the power cable to come into contact with heat sources or sharp edges. The power cable should not hang over the side of the working surface. Ensure that no one can step on or trip over the cable.
- The power cable must not be folded, bent or tangled, and must always remain fully unrolled.
- Never place the device or other objects on the power cable.
- Do not lay the cable over carpets or heat insulations. Do not cover the cable. Keep away the cable from operating range and do not dunk it into water.
- Do not use the device in case it does not function properly, has been damaged or dropped.
- Do not use any accessory or spare parts that have not been recommended by the manufacturer. These can be dangerous for the user or lead to damages of the device or personal injury, and further, the warranty expires.
- Protect the device from frost and moisture.
- **Never** use the device with wet or moist hands.
- **Never** leave the device unattended when in use.
- **Never** fill **hot** water into the cold water tank.
- Do **not** fill water into the hot device; wait until it has cooled down.
- Do **not** move or tilt the device when in operation.



#### **WARNING! Hot surface!**

***During operation some parts of the device become very hot. In order to avoid injuries do not touch any hot parts!***

### 5.2 Installation and connection

- Unpack the device and remove all packing material.
- Put the device in a safe place that can support its weight and is not heat sensitive.
- **Never** place the device on a combustible surface.
- **Never** place the device at the edge of a table to avoid accidents.
- **Never** put the device in a moist or wet area.
- Do not place the device near an open flame, electric heater or other heat source.



**WARNING! Hazard via electrical current!**

*The device can cause injuries due to improper installation!*

*Before installation the local power grid specification should be compared with that of the device (see type label).*

*Connect the device only in case of compliance! Take note of the security advice!*

*The device must only be connected to a properly installed single socket with protective contact.*

*Never remove the power cable by pulling the cable itself; always grab the plug housing.*

- The electrical circuit of the socket must be secured to at least 16A. Only connect the device to a wall outlet; do not use any extension cords or power strips.
- Place the device so that the plug is easily accessible so as to quickly disconnect the device if the need arises.

## 5.3 Operation

### Preparing the device

- Remove the cover and then remove the filter basket together with the riser pipe from the water container.
- Before the first use clean the filter basket, cover and water container interior with warm water and a mild detergent. Rinse thoroughly with clean water to remove remnants of detergent.



**ATTENTION!**

***Do not immerse the bottom of the device in water!***

- Clean the riser pipe with warm water and a mild detergent. Rinse thoroughly with clean water.
- To assemble the device, insert the riser pipe in the filter basket opening, and then both parts insert together into the container. Please remember that the riser pipe should be inserted into the heating hole in the bottom of the container in the center.

## Brewing coffee

- Fill the water container with **cold** water (the necessary amount of water can be read from the filling indicator level).
- Observe the **minimum amount of coffee** for brewing. It is:
  - for device **A190145** → **20 cups** → about 3.0 liters
  - for device **A190165** → **30 cups** → about 4.5 liters
  - for device **A190195** → **30 cups** → about 4.5 liters



### **ATTENTION!**

***Do not fill the coffee maker with water above the highest marks!  
Never use warm water to brew coffee!***

- Place the filter basket assembly into the coffee maker so that the riser pipe is inserted into the heating hole in the bottom of the container in the center. Do not force the riser pipe into position.
- Insert a round paper filter into the filter basket.



### **NOTE!**

***Only round paper filters should be used with the coffee maker with round filter***

We recommend using **BARTSCHER** round paper filters numbers **A190190** or **A190009250** for models **Bartscher PRO Plus 40T (A190145) + Bartscher PRO Plus 60T (A190165)** and round paper filters numbers **A190011** or **A190011250** for models **Bartscher PRO Plus 100T (A190195)**.

- Pour ground coffee (about 6 grams per cup) into the filter basket.



### **NOTE!**

***The recommended amount of coffee may be increased or decreased according to one's preferences.***

- Close to coffee maker cover. When closing follow the instructions given on the cover.



### **WARNING!**

***During operation, never open the cover. There is a danger of burns!***

- Start the coffee maker by switching the **ON/OFF** switch to position „I“. During the boiling process the red operation control light in the switch will come on.
- The green heat retention light will come on when the boiling process has completed. As soon as the brewing process is finished, the temperature is reduced automatically and the coffee is kept at temperature proper for serving until the power plug is disconnected from power supply or the **ON/OFF** switch is set to „O“.



## NOTE!

To heat the coffee, remove the riser pipe and filter basket. Turn on the device. The container must contain the amount of coffee for at least 12 cups.

- Unplug the cord when no liquid flows from the faucet of the standing device.
- The device is equipped with a **heat/boil-dry protection**. If the device is accidentally turned on with little or no liquid, the protection device trips and the device switches off automatically.



## ATTENTION!

In the event that the overheating protection turns on, disconnect the device from the power source (pull the plug!) and leave to cool.

Remove the base and press the **RESET** button on the bottom of the device quickly several times.

The coffee maker is now ready for use.



## Serving coffee

- Place the cup or glass under the drain valve, press the valve slightly down and hold until the cup is filled with required amount of coffee.
- Release the drain valve which is closed automatically.
- In order to obtain full flow press the valve lever fully down.



## NOTE!

The drain valve is located a little higher, therefore the dregs remain on the water tank bottom and do not enter the served coffee.

- When the device is placed in normal position and the coffee does not flow, remove the plug and fill the device with fresh water after cooling down, when required.

## Instructions and advices



### **NOTE!**

The best results can be achieved when coffee is prepared for at least 20 or 30 cups at once.

Remove the filter basket and coffee grounds immediately after the brewing process. Thanks to this the coffee's flavor is maintained.



### **WARNING! Danger of burns!**

*Elements of the filter basket and grounds are very hot.  
During removal, use appropriate protective equipment!*

- Before starting the next batch of coffee, you should thoroughly rinse the coffee brewer with cold water.
- Any drops arising from removing the filter basket and the wet coffee grounds should be wiped clean.
- In order to re-heat cold coffee you should remove the filter basket and riser pipe before connecting the device to the power.
- The coffee machine can also be used to heat water. Fill the cleaned water container with cold water; insert the riser pipe and cleaned filter basket. Turn on the device, as in brewing coffee.
- Turn off the device when the heating process is complete.
- Pull the power plug as soon as less than four cups of water are left in the water tank.



### **NOTE!**

*If the device will not be used, remove the riser pipe, otherwise it might get stuck in the heating hole.*

## 6. Cleaning and maintenance

### 6.1 Safety advice

- Before beginning with repair or cleaning works make sure the device has been disconnected from power supply and has cooled down.
- Do not use any acid agents and make sure no water ingresses the device.
- To protect yourself from electric shock, **never** immerse the device, its cables and the plug in water or other liquids.



### **CAUTION!**

*The device is not suited for direct washing via water jets.*

*Therefore, you must not use any kind of pressure water jet for cleaning the device!*



## 6.2 Cleaning and descaling

### Daily cleaning

- Clean the device after each use.
- After use, wash the device with hot water and a mild, **commercially available detergent for coffee makers**. Clean also the filter basket, riser pipe and cover. Please observe the instructions of the manufacturer.
- Dry these items with a soft cloth.
- The water container should be cleaned of all sediments and coffee remnants. It can be cleaned with a mild abrasive cleaner and cleaning pan.
- Wipe the surface of the coffee maker with a damp cloth and then dry with a soft cloth.
- To clean the faucet after use, fill the coffee maker with warm water and drain it through the faucet.

### Weekly cleaning

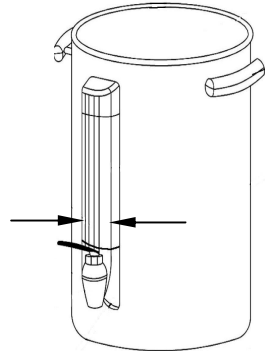
- In the case of everyday use, the entire faucet mechanism must be thoroughly cleaned every week. With less frequent use, it can be done less frequently.
- To clean the faucet the upper part of the holder should be unscrewed. Clean the faucet and also the connector between the faucet and the device with the small brush. Rinse the upper part of the holder and screw it in again.
- The inside of the fill level indicator can be cleaned with the attached brush.

- First remove the fill level indicator cover, pressing it firmly at the bottom and sliding it up (see the marked position in the figure on the right), and then remove it.

By loosening the top screw the glass tube can be removed by pulling it forward. Then remove the mounting strip from the glass tube.

Insert the attached brush into the top of the glass tube for cleaning.

After cleaning reassemble the glass tube and mounting strip.





**ATTENTION!**

***Make sure the glass tube is properly placed in the seal.  
Slightly tighten the screws, otherwise the glass may break.***

- Remount the fill level indicator cover, sliding it down from above and then snapping it into place.

**Cleaning the heating hole**

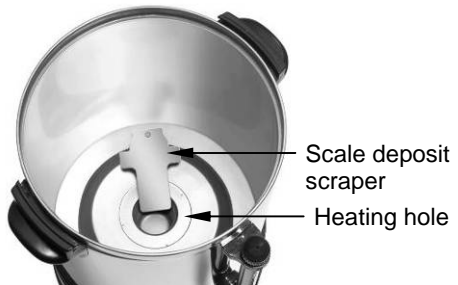
- The heating hole must be thoroughly cleaned every week, especially if used daily.
- Included in the coffee maker packaging is a scale deposit scraper for cleaning the heating hole at the bottom of the coffee maker.



**NOTE!**

**Only the attached scale deposit scraper should be used!**

- Place a cloth soaked with soapy steel wool or a thin cloth for scrubbing over the heating hole.
- Insert the narrow end of the scraper into the heating hole.
- By rotating repeatedly clean heating hole.
- When the heating hole is clean, the metal will shine.



- After completion of cleaning, thoroughly rinse the water container in order to remove all residues of soaps and cleaning detergents.

## Descaling



### **ATTENTION!**

***In order to extend the use of the device and to ensure good quality coffee, the coffee maker should be descaled regularly!***

***Claims will not be accepted if the coffee maker will not be descaled regularly, as described in the instruction manual.***

***Such claims are not covered under the warranty!***

- The device is equipped with **red descaling indicator**. Depending on the hardness of used water the indicator may be activated after some brewing cycles, which indicates that the device must be descaled. At the same time the overheating protection is activated and the device is turned off.
- After descaling the coffee maker must be turned on **only** after pressing the **RESET** button in the base. When the device is turned on after descaling, the indicator is not activated.
- **For descaling the device we recommend „Rapid descaler for coffee makers“** that we have tested.

**Code-No.: 190065; packing unit: (30 bags 15 g each).**

- Dissolve the content of the bag (15 g) in approximately **5 liters** of water.
- Push the riser pipe through the center of the filter basket and place it in the water container. Make sure that the riser pipe has been carefully inserted in the heating hole.
- Pour the descaling mixture into the water container of the coffee maker. Place the cover on the water container and turn on the device.
- Start the brewing process and leave the coffee maker on for about 15 minutes.
- Turn off the device and drain the descaling mixture from the water container through the faucet.
- After descaling, perform the brewing process at **least three times** to remove all remnants of the descaling mixture.
- Rinse thoroughly with warm water the water container, riser pipe, filter basket and drain this water through the faucet.
- The coffee maker is now ready for use.



### **WARNING!**

***Do not leave the coffee maker without supervision while descaling!***

***During descaling use gloves and goggles!***

- After descaling carefully wash your hands.

### 6.3 Safety instructions for maintenance

- Inspect the power cable regularly for damage. Never use the device if the cable is damaged. If the power cable is damaged, have an authorised service center or qualified electrician replace it.
- In case of damage or malfunction, please contact your stockist or our customer service centre. Pay attention to the troubleshooting tips in pt. 7.
- Only a qualified technician and using original spare parts and accessories should carry out repairs and maintenance of the device. **Do not attempt to repair the device yourself.**

### 7. Possible Malfunctions

Problem	Cause	Solution
The device is turned on, but the red indicator light does not turn on.	<ul style="list-style-type: none"> <li>• The power plug is not properly inserted into the socket</li> <li>• Disconnected fuse</li> <li>• Damaged indicator light</li> <li>• Damaged switch</li> </ul>	<ul style="list-style-type: none"> <li>• Properly insert the plug into the socket</li> <li>• Check the fuse</li> <li>• Check the device in another socket</li> <li>• Contact a salesperson</li> </ul>
Red descaling indicator is on during the operation.	<ul style="list-style-type: none"> <li>• The device is scaled</li> </ul>	<ul style="list-style-type: none"> <li>• Remove the plug. Leave the device until cooling down, then descale it according to section <b>6.2 “Cleaning and descaling”</b></li> </ul>
The device is turned on, the <b>ON/OFF</b> switch indicator is on, but the device is not heating.	<ul style="list-style-type: none"> <li>• Damaged heating element</li> <li>• Damaged thermostat</li> </ul>	<ul style="list-style-type: none"> <li>• Contact a salesperson</li> <li>• Contact a salesperson</li> </ul>
The device turns off.	<ul style="list-style-type: none"> <li>• Damaged thermostat</li> <li>• The device is scaled</li> </ul>	<ul style="list-style-type: none"> <li>• Remove the power plug and leave the device to cool. Remove the base and press the <b>RESET</b> button on the bottom of the device. Bear in mind the necessary quantity of water in the device Descale the device according to section <b>6.2 „Cleaning and descaling“</b></li> </ul>

Problem	Cause	Solution
The green indicator light does not turn on.	<ul style="list-style-type: none"> <li>• The brewing / heating process is not completed yet</li> <li>• Damaged indicator light</li> <li>• Damaged thermostat</li> </ul>	<ul style="list-style-type: none"> <li>• Wait until the brewing / heating process will be completed</li> <li>• Contact a salesperson</li> <li>• Contact a salesperson</li> </ul>
The fuse blows immediately after turning on.	<ul style="list-style-type: none"> <li>• Electrical short circuit</li> </ul>	<ul style="list-style-type: none"> <li>• Contact a salesperson</li> </ul>

**The above cases are only for illustration and should be used for better orientation. If the same or similar problems occur, immediately turn off the device and do not use it. If you cannot remedy the source of the fault yourself according to the above examples, you should contact customer service or the salesperson.**

## 8. Waste disposal

### Discarding old devices

At the end of its service life the discarded device has to be disposed in accordance with the national regulations. It is advisable to contact a company which is specialized in waste disposal, or just contact the local disposal service in your community.



#### **WARNING!**

***To exclude any abuse and the dangers involved make the waste device unfit for use before disposal. For that purpose disconnect device from mains supply and remove mains connection cable from the device.***



#### **NOTE!**



***For the disposal of the device please consider and act according to the national and local rules and regulations.***

Bartscher GmbH  
 Franz-Kleine-Str. 28  
 D-33154 Salzkotten  
 Germany

phone: +49 (0) 5258 971-0  
 fax: +49 (0) 5258 971-120