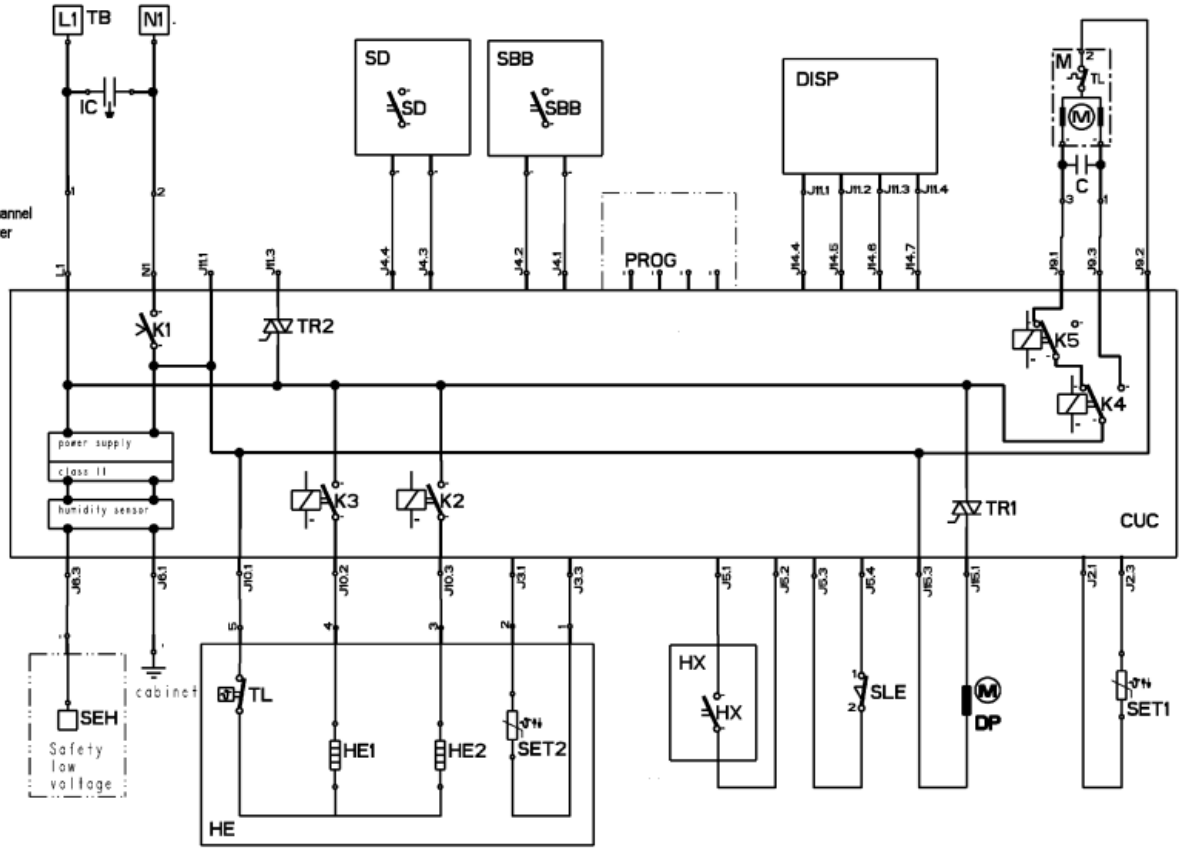


1 2 3 4 5 6 7 8 9 10 11 12 13 14 15 16 17 18 19 20 21 22 23 24 25 26 27 28 29 30 31 32 33 34 35 36 37 38

- C capacitor
- CUC control unit, central

- DISP display
- DP pump
- HE heating element
- HX heat exchanger
- IC interference capacitor
- K relays

- M motor, drive
- SBB switch, broken belt
- SD switch, door
- SEH sensor, humidity
- SET1 sensor, temperature Airchannel
- SET2 sensor, temperature Heater
- SLE switch, level
- IF interference, filter
- TB terminal block
- TL temp. limiter
- TR triac
- X cabinet



461970104701

CHEMA DE CIRCUITS

SERVICE Whirlpool EMEA
Customer Services

8575 967 290