



---

# Service Manual

Freestanding Cooling

Double Door

ARG 773

---

<b>Model Version</b>		<b>Page</b>
ARG 773		
8534 773 01000		
	Technical data	2
	Spare part list	3
	Exploded view	5
	Circuit and Wiring diagram	9

**Technical data**

**Dimensions**

Height	185.0	cm
Width	62.0	cm
Depth	71.0	cm

**Capacity**

<b>Total</b>		
gross	363	l
net	358	l

<b>Cooling</b>		
gross	290	l
net	286	l

<b>Freezing</b>		
gross	73	l
net	72	l

**Electrical connection**

Voltage	220 - 240	V
Frequency	50	Hz

**Power consumption**

in 24 hours	1.41	kWh
-------------	------	-----

**Freezing capacity**

in 24 hours	4	kg
-------------	---	----

**Compressor (freezing)**

Type	FFV 8.5 HAK
Capacity (CECOMAF)	152 W

**Refrigerant (freezing)**

Type	R 134 a
Quantity	95 g

**Thermostat (cooling)**

Electronic

**Thermostat switching value (freezing)**

<b>HOT</b>		
Switch on temperature		
min.	- 15.0	°C
Switch off temperature		
max.	- 22.0	°C

<b>MED.</b>		
Switch on temperature		
min.	- 17.0	°C
Switch off temperature		
max.	- 24.0	°C

<b>COLD</b>		
Switch on temperature		
min.	- 20.0	°C
Switch off temperature		
max.	- 27.0	°C

## Spare part list

Model **ARG 773**  
Service No. **853477301000**  
Version **853477301000**

Pos. No.	12NC Code	Description	Pos. No.	12NC Code	Description
011 0	<b>4812 462 18246</b>	Adjusting screw	263 0	<b>4812 462 18184</b>	Slide
011 2	<b>4812 462 18185</b>	Small plate	263 1	<b>4812 404 48671</b>	Support shelf
012 0	<b>4812 528 78048</b>	Roller	301 0	<b>4812 453 10065</b>	Reflector
024 0	<b>4812 464 18082</b>	Base	301 4	<b>4812 464 28027</b>	Control panel
040 0	<b>4812 417 78019</b>	Hinge,upper	356 0	<b>4812 412 18028</b>	Knob ,damper
040 1	<b>4812 417 78021</b>	Shim f. hinge	402 0	<b>4812 360 38801</b>	Compressor FFV 8,5 HAK
040 2	<b>4812 535 38084</b>	Shim	402 1	<b>4812 418 79646</b>	Tray ,compressor
040 3	<b>4812 417 19092</b>	Hinge,middle	402 3	<b>4812 466 98946</b>	Fastener compressor
040 4	<b>4812 462 28054</b>	Cover,hinge	402 4	<b>4812 535 38085</b>	Clip
040 5	<b>4812 417 18854</b>	Hinge,lower	440 0	<b>4812 361 38051</b>	Motor ,f.fan/220V/60Hz
040 6	<b>4812 417 78022</b>	Shim	440 1	<b>4812 466 38021</b>	Protector fan
040 7	<b>4812 417 19094</b>	Hinge	443 0	<b>4812 361 18282</b>	Fan
040 9	<b>4812 417 19093</b>	Hinge,middle left version	443 1	<b>4812 460 48881</b>	Support
047 3	<b>4812 535 48009</b>	Shaft	451 0	<b>4812 259 48141</b>	Element defrost
070 0	<b>4812 462 28402</b>	Plinth	480 0	<b>4812 019 78807</b>	Connect.cable
101 0	<b>4812 418 18402</b>	Door,freezer	491 0	<b>4812 462 79703</b>	Connectionblock
102 0	<b>4812 442 29143</b>	Flap evap.door	500 0	<b>4812 218 38159</b>	Control board
102 1	<b>4812 442 29145</b>	Flap	500 1	<b>4812 440 28945</b>	Cover
104 0	<b>4812 418 28357</b>	Door,refriger.	566 0	<b>4812 282 38041</b>	Thermostat
105 0	<b>4812 532 88011</b>	Bushing	566 1	<b>4812 460 48885</b>	Holder
105 1	<b>4812 532 88012</b>	Stopper	566 2	<b>4812 282 38042</b>	Thermostat ,bi-metal + thermo fuse
105 2	<b>4812 462 28181</b>	Bushing white	614 0	<b>4812 218 18021</b>	Relay + Overload
105 3	<b>4812 462 28179</b>	Bushing right,white	651 0	<b>4812 134 28061</b>	Lamp 220V
111 0	<b>4812 498 18224</b>	Handle	652 0	<b>4812 255 28011</b>	Holder,lamp
111 1	<b>4812 498 18225</b>	Insert handle/right	652 1	<b>4812 462 28056</b>	Deflector
111 2	<b>4812 498 18226</b>	Insert handle/left	652 3	<b>4812 460 98006</b>	Cover f. lamp
111 3	<b>4812 468 18228</b>	Cover handle	652 7	<b>4812 462 28057</b>	Deflector
111 7	<b>4812 459 18217</b>	Nameplate	655 0	<b>4812 271 38442</b>	Interface board
153 0	<b>4812 418 79759</b>	Rack,freezer	691 0	<b>4812 282 68021</b>	Sensor ,kit
153 1	<b>4812 462 28406</b>	Shelf	740 0	<b>4812 511 48216</b>	Condenser
153 6	<b>4812 462 28404</b>	Separator	740 1	<b>4812 462 28394</b>	Holder evaporator
154 0	<b>4812 462 28405</b>	Shelf	740 2	<b>4812 404 18112</b>	Clip
154 2	<b>4812 462 28412</b>	Shelf	743 0	<b>4812 480 28035</b>	Air diffuser
154 3	<b>4812 462 28413</b>	Shelf	743 1	<b>4812 460 48884</b>	Support
155 1	<b>4812 462 28403</b>	Door,dairy	743 4	<b>4812 158 18003</b>	Cover air diffuser
156 0	<b>4812 418 28343</b>	Tray icecube	745 0	<b>4812 511 38149</b>	Evaporator
156 1	<b>4812 460 88254</b>	Holder, eggs	745 1	<b>4812 442 28963</b>	Housing
156 2	<b>4812 462 28414</b>	Separator	745 2	<b>4812 440 69035</b>	Cover
156 3	<b>4812 418 28033</b>	Container	745 3	<b>4812 325 18005</b>	Cover,rubber
156 4	<b>4812 417 28082</b>	Cover ice box	745 4	<b>4812 535 98061</b>	Support
156 5	<b>4812 462 28415</b>	Bottle shelf	760 1	<b>4812 460 48883</b>	Support
191 0	<b>4812 468 18231</b>	Magnetic seal refr.	760 2	<b>4812 490 38001</b>	Air clean filt.
191 1	<b>4812 468 18229</b>	Magnetic seal freezing	764 0	<b>4812 480 28051</b>	Dryer
203 0	<b>4812 325 18003</b>	Insulation ,rear	765 1	<b>4812 440 69079</b>	Cover front
203 1	<b>4812 325 18004</b>	Insulation ,front	765 2	<b>4812 532 48043</b>	Cover evap./rear
242 0	<b>4812 418 79652</b>	Crisper	765 3	<b>4812 460 48882</b>	Cover small
242 1	<b>4812 442 29149</b>	Front Crisper	765 4	<b>4812 255 28004</b>	Cover lamp
242 3	<b>4812 404 48673</b>	Support	781 0	<b>4812 170 88005</b>	Tube
244 1	<b>4812 442 29146</b>	Shelf	900 0	<b>4812 535 38083</b>	Pin
244 2	<b>4812 442 29147</b>	Glass shelf	900 2	<b>4812 535 78042</b>	Clip
244 3	<b>4812 442 29148</b>	Cover Crisper	910 0	<b>4812 560 18026</b>	Screw
246 0	<b>4812 418 48492</b>	Bottom freezer	910 1	<b>4812 523 88005</b>	Screw
246 1	<b>4812 442 29144</b>	Shelf freezer	910 3	<b>4812 560 18025</b>	Screw M5x10mm
261 0	<b>4812 468 18014</b>	Slide ,right	910 5	<b>4812 560 18024</b>	Screw
261 1	<b>4812 462 18183</b>	Slide ,left	910 7	<b>4812 560 18022</b>	Screw

## Spare part list

<b>Model</b>	<b>ARG 773</b>
<b>Service No.</b>	<b>853477301000</b>
<b>Version</b>	<b>853477301000</b>

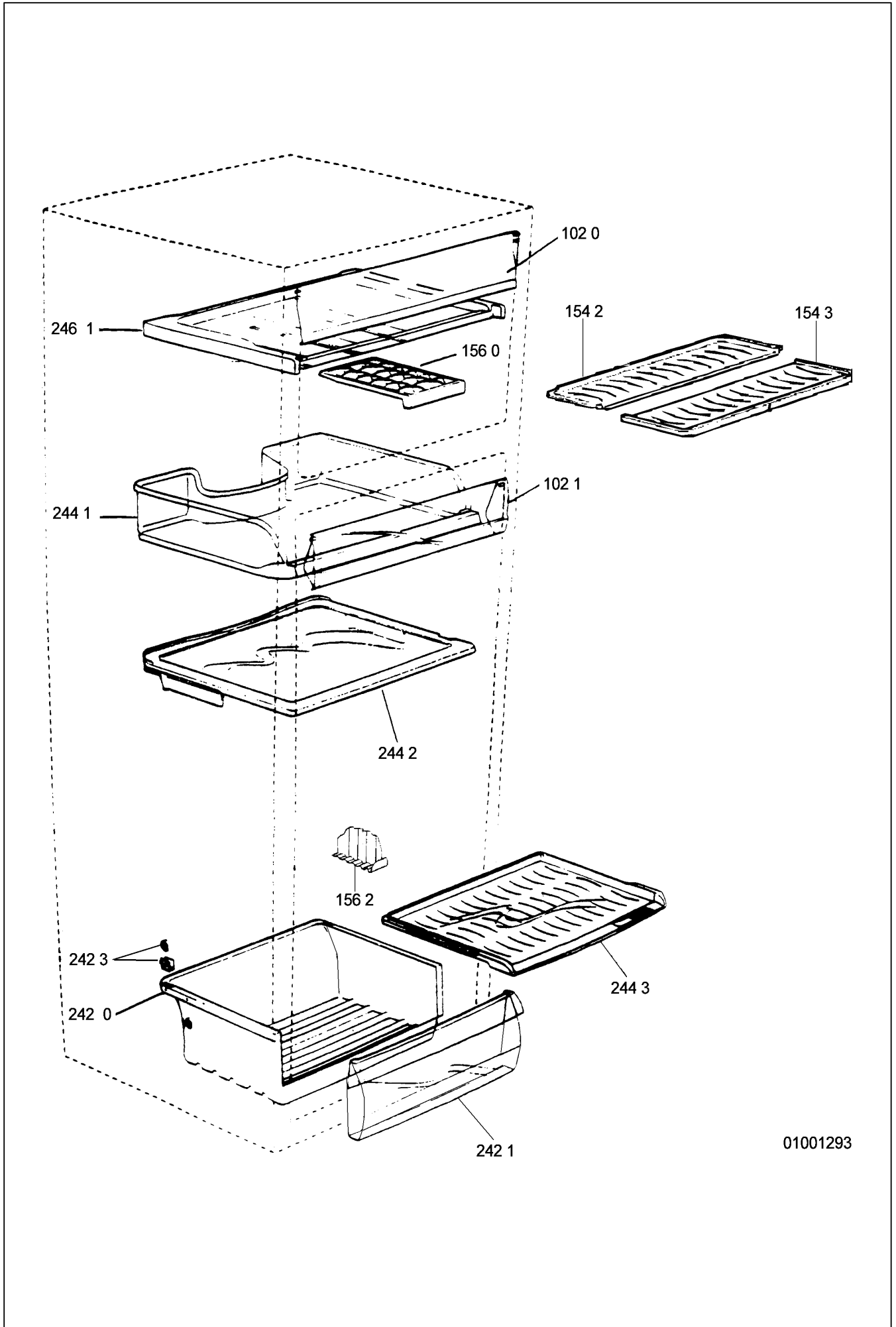
---

<b>Pos. No.</b>	<b>12NC Code</b>	<b>Description</b>
910 8	<b>4812 560 18023</b>	Screw
965 0	<b>4812 442 29065</b>	Cover ,white
965 3	<b>4812 460 48886</b>	Cover



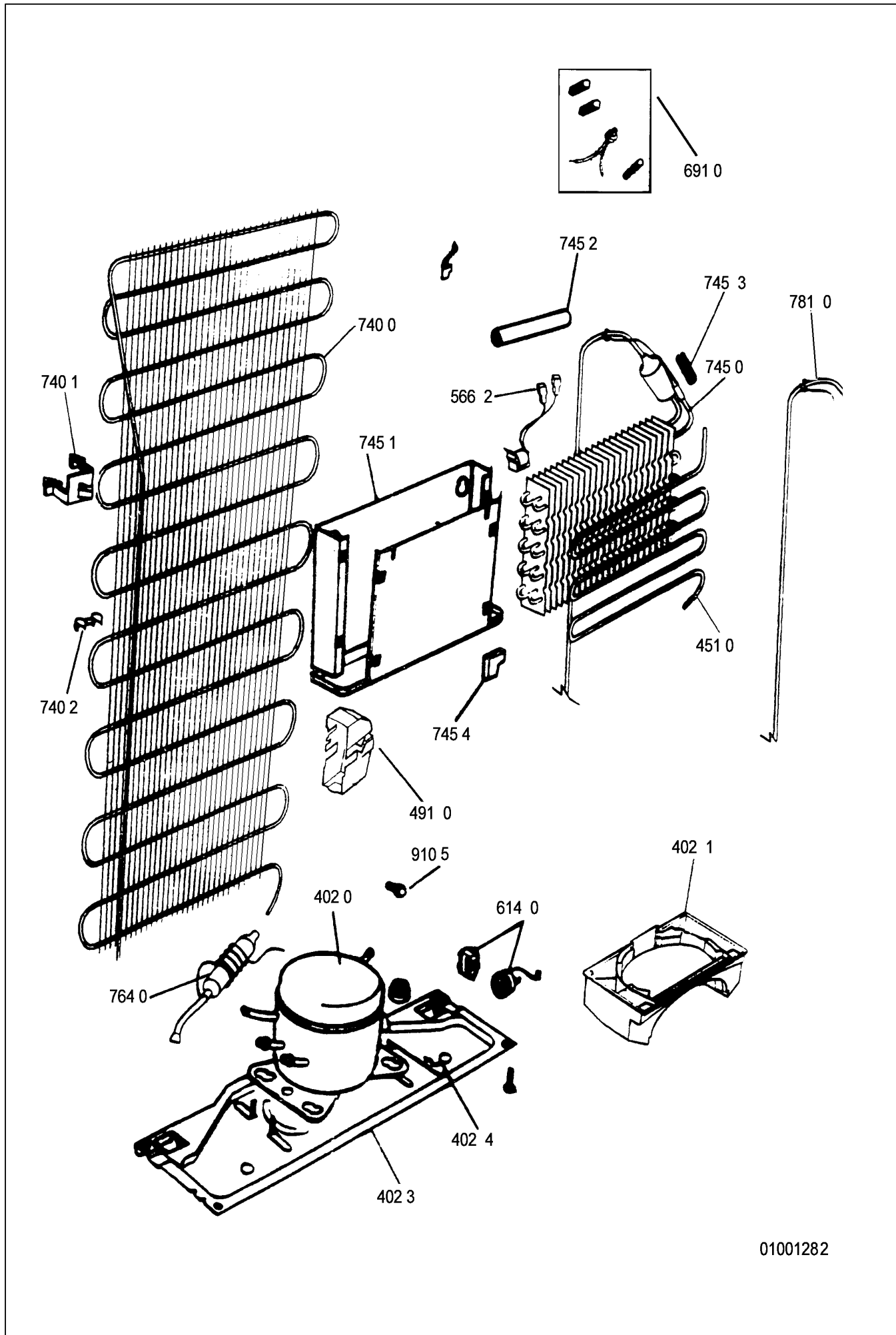


**Exploded view**



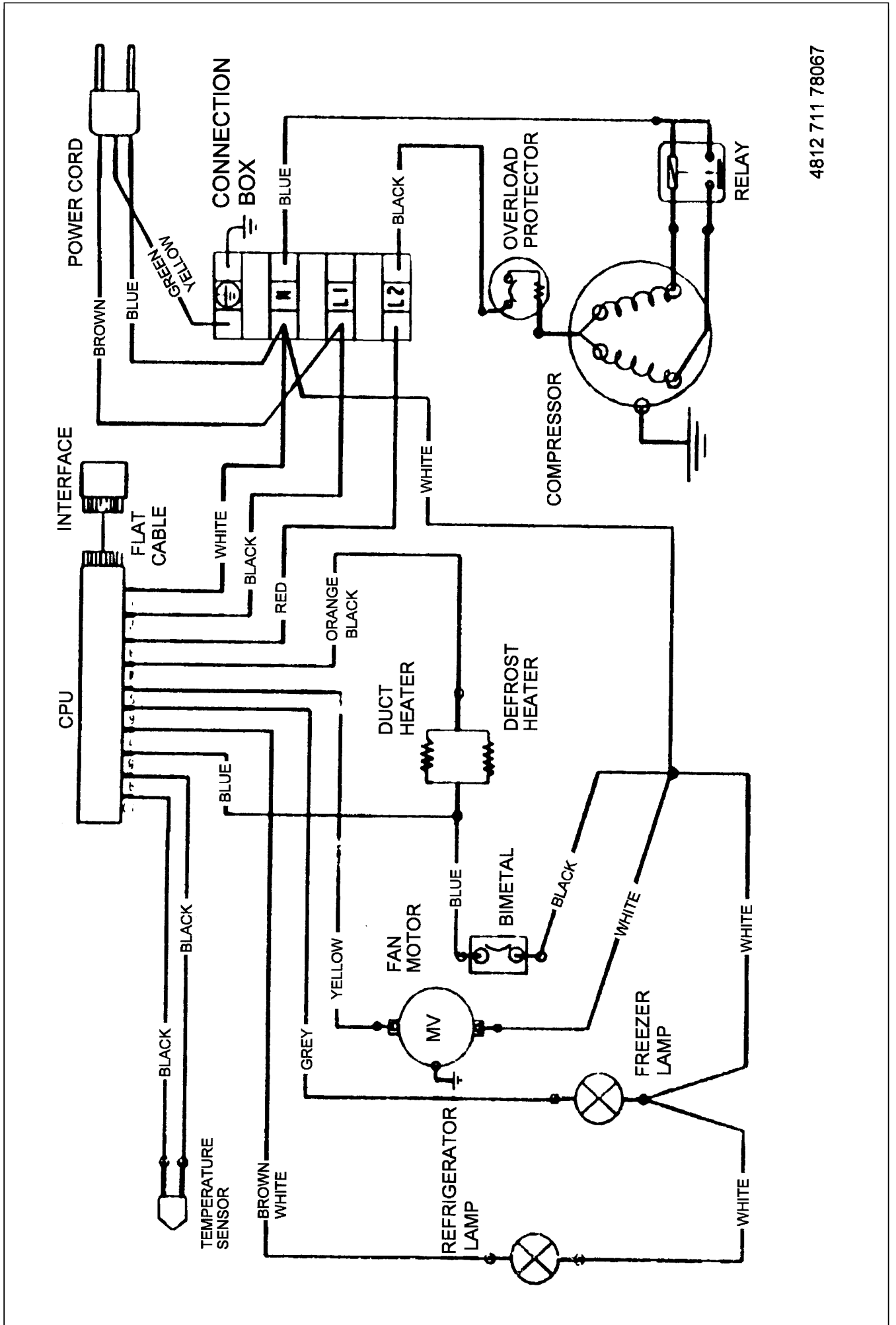
01001293

**Exploded view**





**Circuit and Wiring diagram**



4812 711 78067